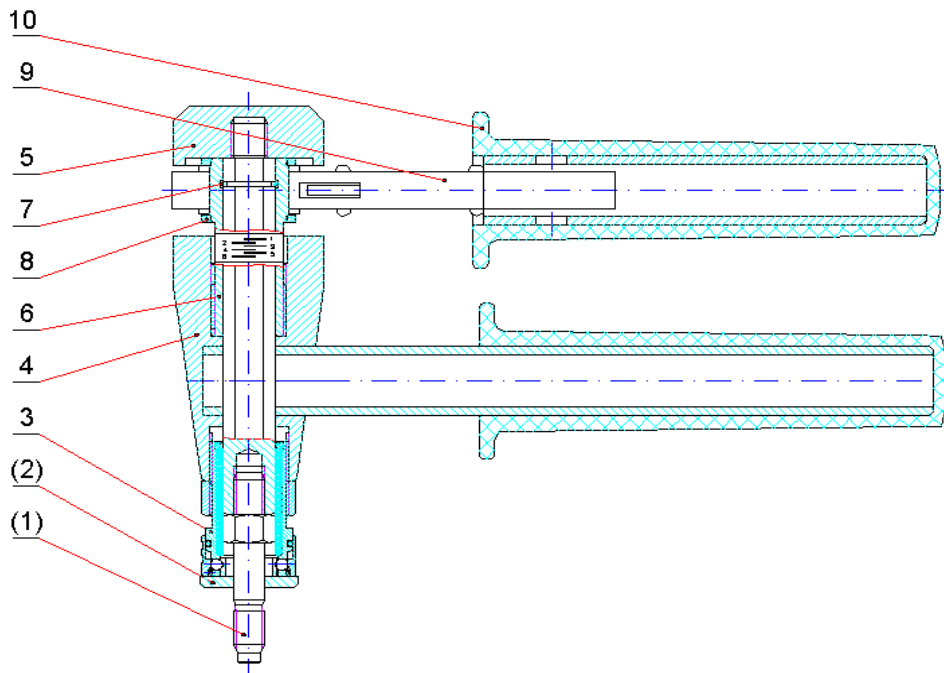


## M 5



Position	Article Nr.	Quantity		Description
(1)	D-1400106	1	pcs	Mandrel M6
(1)	D-1400108	1	pcs	Mandrel M8
(1)	D-1400110	1	pcs	Mandrel M10
(1)	D-1400112	1	pcs	Mandrel M12
(2)	D-2301606	1	pcs	Insert M6
(2)	D-2301608	1	pcs	Insert M8
(2)	D-2301610	1	pcs	Insert M10
(2)	D-2301612	1	pcs	Insert M12
3	S-2301800	1	pcs	Anvil complete
4	S-2602100	1	pcs	Body complete
5	S-2602200	1	pcs	Spindle combination
6	S-2602300	1	pcs	Sleeve with stroke indicator
7	N-1402292500012	1	pcs	Retaining ring
8	D-2602600	2	pcs	Ring
9	S-2602500	1	pcs	Forward handle
10	D-00551701	2	pcs	Plastic grip (black color)