

# FERM®

POWER SINCE 1965



## TDM1026

EN	Original instructions	05	LV	Instrukciju tulkojums no oriģinālvalodas	57
DE	Übersetzung der Originalbetriebsanleitung	09	ET	Algupärase kasutusjuhendi tõlge	62
NL	Vertaling van de oorspronkelijke gebruiksaanwijzing	14	HR	Prevedeno s izvornih uputa	66
FR	Traduction de la notice originale	19	SR	Prevod originalnog uputstva	70
ES	Traducción del manual original	24	BS	Prevod originalnog uputstva	70
IT	Traduzione delle istruzioni originali	29	MK	Копија на оригиналот инструкции	74
HU	Eredeti használati utasítás fordítása	34			
CS	Překlad původního návodu k používání	39			
SK	Překlad pôvodného návodu na použitie	44			
SL	Prevod izvirnih navodil	48			
LT	Originalios instrukcijos vertimas	53			

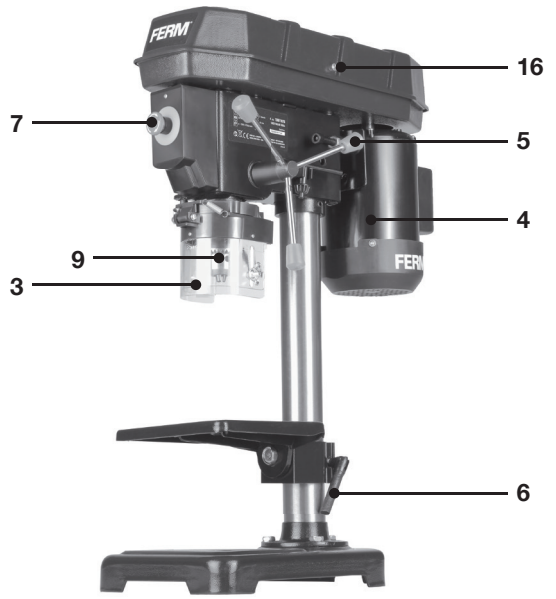
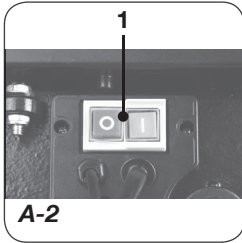
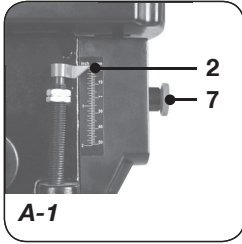


Fig. A

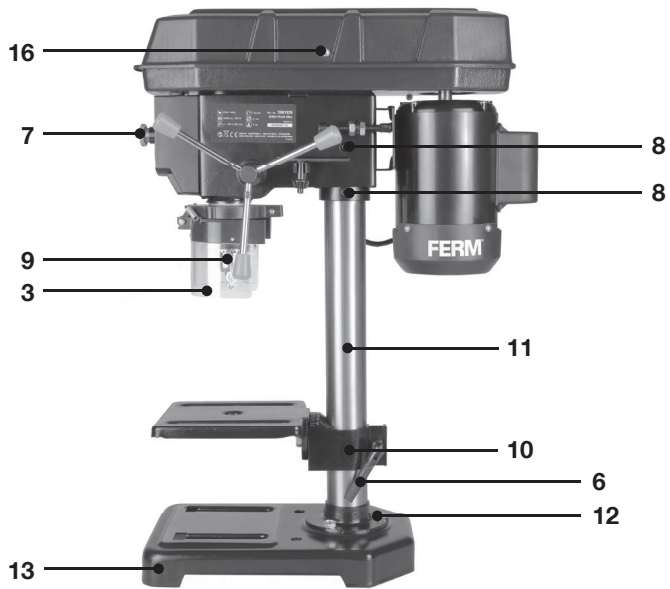
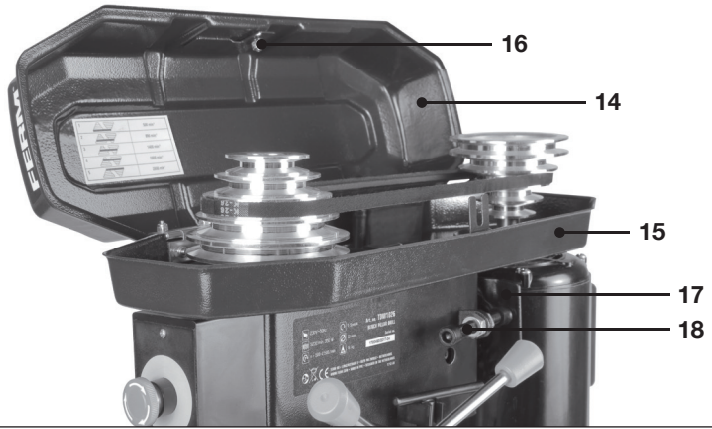
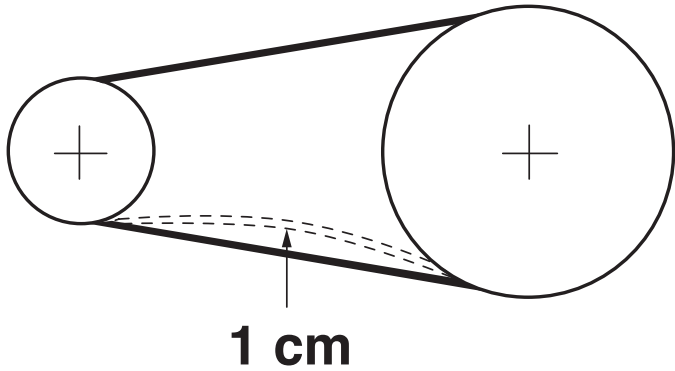


Fig. B



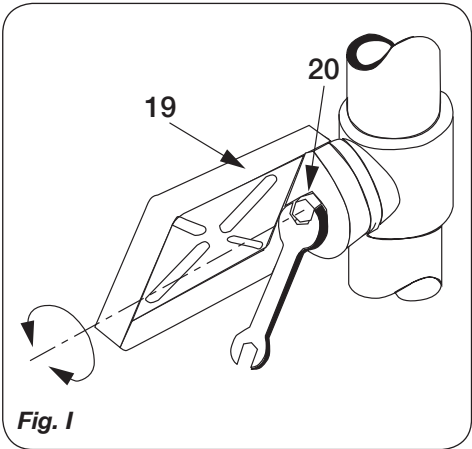
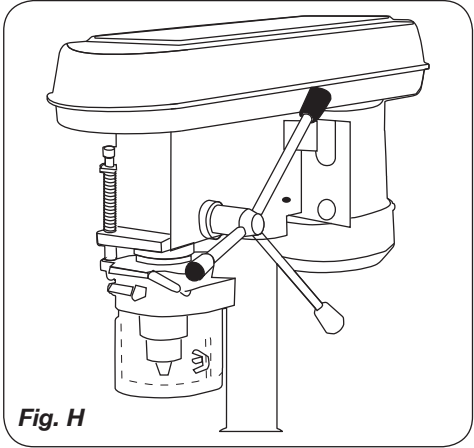
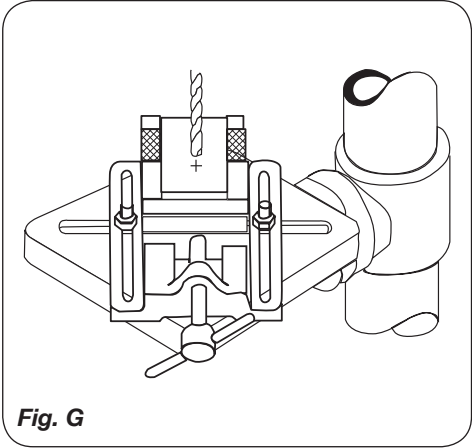
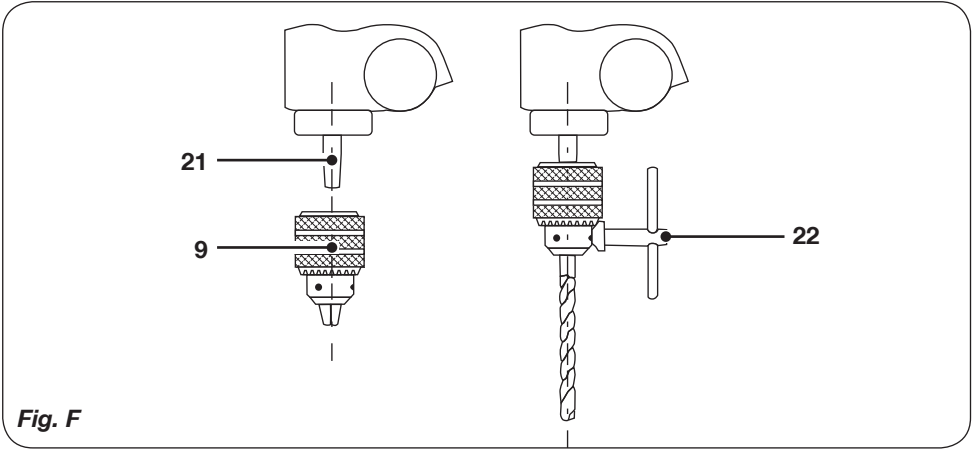
**Fig. C**



**Fig. D**

1		500 min <sup>-1</sup>
2		890 min <sup>-1</sup>
3		1400 min <sup>-1</sup>
4		1900 min <sup>-1</sup>
5		2500 min <sup>-1</sup>

**Fig. E**



## BENCH PILLAR DRILL TDM1026

### Thank you for buying this Ferm product.

By doing so you now have an excellent product, delivered by one of Europe's leading suppliers. All products delivered to you by Ferm are manufactured according to the highest standards of performance and safety. As part of our philosophy we also provide an excellent customer service, backed by our comprehensive warranty. We hope you will enjoy using this product for many years to come.



*Read the operating instructions carefully before using this device. Familiarise yourself with its functions and basic operation. Service the device as per the instructions to ensure that it always functions properly. The operating instructions and the accompanying documentation must be kept in the vicinity of the device.*

## 1. MACHINE INFORMATION

### Technical specifications

Voltage	230 V~
Frequency	50 Hz
Power consumption (S2)	350 W
No load speed	500 - 2500/min
Number of speeds	5
Chuck capacity	13 mm
Weight	14 kg
Lpa (Sound pressure level)	71 dB(A) K=3
Lwa (Sound power level)	84 dB(A) K=3
Vibration	<2.5 m/s <sup>2</sup>

### Vibration level

The vibration emission level stated in this instruction manual has been measured in accordance with a standardised test given in EN 61029; it may be used to compare one tool with another and as a preliminary assessment of exposure to vibration when using the tool for the applications mentioned.

- using the tool for different applications, or with different or poorly maintained accessories, may significantly increase the exposure level.

- the times when the tool is switched off or when it is running but not actually doing the job, may significantly reduce the exposure level.

Protect yourself against the effects of vibration by maintaining the tool and its accessories, keeping your hands warm, and organizing your work patterns.

### Description

The numbers in the text refer to the diagrams on pages 2-4.

1. On/off switch
2. Depth limiter
3. Chuck guard
4. Motor
5. Drill depth handle
6. Table adjustment
7. Emergency stop switch
8. Fixing screw
9. Chuck
10. Table holder
11. Column
12. Bolts
13. Footplate
14. Upper V-belt cover
15. Lower V-belt cover
16. Cover lock
17. Motor plate
18. Belt tension lock
19. Table
20. Hexagonal screw
21. Spindle
22. Chuck key

Check first whether or not the delivery has been damaged by transport and/or whether all the parts are present.

## 2. SAFETY INSTRUCTIONS

### Explanation of symbols

The following pictograms are used in these instructions for use:



*Denotes risk of personal injury, loss of life or damage to the tool in case of non-observance of the instructions in this manual.*



Indicates the presence of an electrical voltage.



Immediately unplug the plug from the mains electricity in the case that the cord gets damaged and during maintenance.



Keep bystanders away.



Wear eye and ear protection.

#### During use the following points must be considered:

- Do not remove any mechanical or electrical protective provisions.
- Check whether all the protective provisions are in place and have been attached correctly.
- Wear safety goggles during drilling.
- If you have long hair, be sure to wear hair protection (hair net or cap). Long hair can easily be caught in moving parts.
- Wear fitted clothing; tie buttons on sleeves.
- Do not hold any workpieces in your hands when drilling. Always use a machine clamp or another clamping tool.
- Protect workpieces and clamping tools on the bench to prevent them from getting caught. Fasten them yourself with screws or clamp them to a machine clamp fastened to the table.
- Check whether the drill holder is tightened properly.
- Check whether cable lead-throughs are okay.
- To remove drill chips only use hand brushes, brushes, rubber wipers, chip hooks or similar aids.
- Do not carry out any cleaning or greasing work while the machine is in operation.
- Always keep V-belts covered (so that your hands cannot become caught).
- Only tighten the toothed ring drill holder by means of the wrench.
- Never leave the wrench of the drill holder in the drill holder! Before switching on the machine, check whether the wrench really has been removed!
- Do not use any drills which are damaged on the shank.
- Drill is not suitable to use as press!

- If the mains cable is damaged, it may only be replaced by a mains cable of the same type.

#### Immediately switch off the machine when:

- Interruption in the mains plug, mains lead or mains lead damage.
- Defect switch.
- Smoke or stench of scorched isolation.

#### Electrical safety

When using electric machines always observe the safety regulations applicable in your country to reduce the risk of fire, electric shock and personal injury. Read the following safety instructions and also the enclosed safety instructions.



Always check that the power supply corresponds to the voltage on the rating plate.



The machine is provided with a zero voltage switch. After the tension drops the machine will not start to run automatically for safety reasons. The machine must be switched on again.

#### Replacing cables or plugs

Immediately throw away old cables or plugs when they have been replaced by new ones. It is dangerous to insert the plug of a loose cable in the wall outlet.

#### Using extension cables

Only use an approved extension cable suitable for the power input of the machine. The minimum conductor size is 1.5 mm<sup>2</sup>. When using a cable reel always unwind the reel completely.

## 3. ASSEMBLY

#### Fig. B, F

- Place the footplate (13) in the correct position.
- Fasten the column (11) with the bolts supplied (12) to the footplate.
- Now slide the table holder (10) with the table over the column (11). With the fastening handle (6) the table is fastened into the desired position.
- Now you can assemble the machine casing (7) and lock with the locking pins (8).
- Fit the chuck guard holder onto the spindle (21) and tighten the slotted screw.

- Clean the conical hole in the chuck (9) and the spindle with a clean piece of fabric. Make sure there are no foreign particles sticking to the surfaces.
- Powerfully push the chuck (9) up on the spindle (21), as far as it will go.
- Fit the clear chuck guard (3) to the chuck (9) guard holder and fasten the fixing screws.
- Since the drill spindle is greased in the factory, it is advisable to let the machine run for approximately 15 minutes at the lowest speed before use.



*Before you push the chuck on the drill spindle, the inside of the chuck and the outside of the spindle must be completely grease-free!*

### Setting up the bench drill

Before use the drill must be mounted on a fixed base. The footplate (13) has therefore been provided with drilling holes. By means of screws the footplate can be fixed to the base in this place. If it is mounted on a wooden board, sufficiently large washers must be used on the opposite side, so that the bolts are not pushed into the wood and the machine cannot become loose.



*The fastening screws may be fastened so far that the footplate is not under tension or deformed. When the tension is too high there is a risk of breakage.*

### Adjusting the number of revolutions of the drill spindle

#### Fig. C

The different revolutions of the drill spindle can be adjusted by shifting the V-belt into the belt drive. The machine is protected by a safety switch so that the machine is automatically switched off when opening the casing. The V-belt is shifted as follows:

- Open the V-belt cover (14) by loosen the screw (16) on the right side of the cover.
- Loosen the fastening button (18) and slide the motor in the direction of the machine head, upon which the V-belt is released.
- Shift the V-belt according to the table on the inside of the V-belt cover.
- Tension the V-belt again by pushing the motor plate (17) to the back. Then the tensioning device is fastened with the fastening button (18).

- Close the V-belt cover and the machine is ready again for use.



*Keep the V-belt cover closed during use.*

#### Fig. C & D

If you have shifted the V-belt, you must tighten it again by means of the motor plate (17) with the fastening button (18). The tension is correct when the V-belt can be pressed in by approximately 1 cm. The motor pulley must be aligned horizontally, so that early wear and loosening of the V-belt can be prevented. For this purpose the motor pulley (15) on the motor can be slid along the motor axle, after loosening the socket head screw.

### Spindle speeds

#### Fig. E

Position V-belt	Revolutions/min
1	500
2	890
3	1400
4	1900
5	2500

The number of revolutions of the drill spindle of the V-belt combinations can be read from the illustration and the table.

Test the V-belt tension before you connect the machine to the electricity mains.

## 4. OPERATION, HINTS AND TIPS

### Depth stop

#### Fig. A-1

The drill spindle is provided with a depth stop (2). It can be adjusted using the nut. The drill depth can be read on the scale division.

### Clamping the drill

#### Fig. F

In the drill head of the bench drill, drills and other tools with a cylindrical shank can be clamped. The moment of rotation is transferred to the drill by means of the tension of the three clamping jaws. To prevent the drill from sliding away, it must be clamped using the toothed ring wrench. If the

drill slides away in the drill holder, a slight burr occurs on the drill shank, which makes centric clamping impossible. A burr which occurs in this way must in any case be removed by grinding.

### Clamping the workpiece

#### Fig. G

The drill bench and the footplate of the bench drill are provided with grooves for fastening clamping tools. Always clamp the workpiece in the machine clamp or other clamping tools. In this way you will prevent accidents and even increase the drilling accuracy because the workpiece is in a fixed position.

### Adjusting the bench

The drill bench is fastened to the drill column and can be adjusted in height after loosening the fastening handle (6). Adjust the bench in such a way that there is still enough space between the top of the workpiece and the point of the drill. You can also swivel the bench sideways, if you wish to clamp a workpiece directly onto the footplate.

#### Fig. I

For slanted drilling and with a slanted supporting surface of the workpiece the bench can be swivelled. For this purpose loosen the hexagonal screw (20) on the hinge point of the bench and remove the centring. Swivel the bench (19) to the desired position. Then screw down the hexagonal screw (20) properly using a wrench.

### Number of revolutions, speed of rotation, supply

The supply - the feed motion of the drill - takes place by hand on the 3-armed drill lever. The speed of rotation is determined by the number of revolutions of the drill spindle and by the diameter of the drill. The correct choice of supply and the number of revolutions of the drill spindle are the deciding factors for the lifespan of the drill. The following applies as a basic rule: with a larger diameter of the drill the number of revolutions must be adjusted lower; the greater the firmness of the workpiece, the greater the cutting pressure must also be.

In order not to overheat the drill in this case, the supply and speed of rotation must be lowered at the same time. In addition, the drill must be cooled with drill oil. For thin plates, quite large drillings must be carried out carefully with little

supply and little cutting pressure, so as to get a precise result and so that the drilling remains the correct size. For deep drilling (larger than 2 x the diameter of the drill) the discharge of chips is more difficult and the temperature of the drill is higher. Therefore lower the supply and the number of revolutions and ensure a better discharge of chips by regularly pulling back the drill. For drilling with a greater diameter than 8 mm, pre-drilling must take place, so that early wear of the drill - main cutting edge can be avoided and so that the drilling point is not too heavily loaded.

## 5. MAINTENANCE



*Make sure that the machine is not live when carrying out maintenance work on the motor.*

This machine has been designed to operate over a long period of time with a minimum of maintenance. Continuous satisfactory operation depends upon proper machine care and regular cleaning.

### Cleaning

Keep the ventilation slots of the machine clean to prevent overheating of the motor. Regularly clean the machine housing with a soft cloth, preferably after each use. Keep the ventilation slots free from dust and dirt. If the dirt does not come off use a soft cloth moistened with soapy water. Never use solvents such as petrol, alcohol, ammonia water, etc. These solvents may damage the plastic parts. Please clean the tool immediately after use.

### Lubrication

Every bearing in the drill press has been pre-lubricated in the factory. Further lubrication is unnecessary. From time to time, you should grease the racks and pinions, the table lifting mechanism, the spindle and the splines of the hollow shaft. Open the drive belt guard and squirt a little oil onto the spindle shaft. Do not allow any oil to touch the drive belt!

### Faults

Should a fault occur, e.g. after wear of a part, please contact the service address on the warranty card. In the back of this manual you find



an exploded view showing the parts that can be ordered.

## ENVIRONMENT

To prevent damage during transport, the appliance is delivered in a solid packaging which consists largely of reusable material. Therefore please make use of options for recycling the packaging.



*Damaged and/or disposed of electrical or electronic devices must be dropped off at recycling stations intended for that purpose.*

### Only for EC countries

Do not dispose of power tools into domestic waste. According to the European Guideline 2012/19/EU for Waste Electrical and Electronic Equipment and its implementation into national right, power tools that are no longer usable must be collected separately and disposed of in an environmentally friendly way.

## WARRANTY

Read the warranty conditions on the separately supplied warranty card.

**The product and the user manual are subject to change. Specifications can be changed without further notice.**

## TISCHBOHRMASCHINE TDM1026

### Vielen Dank für den Kauf dieses Ferm Produkts.

Hiermit haben Sie ein ausgezeichnetes Produkt erworben, dass von einem der führenden Lieferanten Europas geliefert wird. Alle von Ferm an Sie gelieferten Produkte sind nach den höchsten Standards von Leistung und Sicherheit gefertigt. Teil unserer Firmenphilosophie ist es auch, Ihnen einen ausgezeichneten Kundendienst anbieten zu können, der von unserer umfassenden Garantie unterstützt wird. Wir hoffen, dass Sie viele Jahre Freude an diesem Produkt haben.



*Lesen Sie diese Bedienungsanleitung aufmerksam, bevor Sie die Maschine in Betrieb nehmen. Machen Sie sich mit der Funktionsweise und der Bedienung vertraut. Warten Sie die Maschine entsprechend der Anweisungen, damit sie immer einwandfrei funktioniert. Die Betriebsanleitung und die dazugehörige Dokumentation müssen in der Nähe der Maschine aufbewahrt werden.*

## 1. GERÄTEDATEN

### Technische Daten

Spannung	230 V~
Frequenz	50 Hz
Aufgenommene Leistung (S2)	350 W
Leerlaufdrehzahl	500 - 2500/min
Anzahl Geschwindigkeiten	5
Kapazität Bohrfutter	13 mm
Gewicht	14 kg
Lpa (Schalldruckpegel)	71 dB(A) K=3
Lwa (Schallleistungspegel)	84 dB(A) K=3
Vibrationswert	<2.5 m/s <sup>2</sup>

### Vibrationsstufe

Die im dieser Bedienungsanleitung angegebene Vibrationsemissionsstufe wurde mit einem standardisierten Test gemäß EN 61029 gemessen; Sie kann verwendet werden, um ein Werkzeug mit einem anderen zu vergleichen und als vorläufige Beurteilung der Vibrationsexposition bei Verwendung des Werkzeugs für die angegebenen Anwendungszwecke.

- die Verwendung des Werkzeugs für andere Anwendungen oder mit anderem oder

schlecht gewartetem Zubehör kann die Expositionsstufe erheblich erhöhen.

- Zeiten, zu denen das Werkzeug ausgeschaltet ist, oder wenn es läuft aber eigentlich nicht eingesetzt wird, können die Expositionsstufe erheblich verringern.

Schützen Sie sich vor den Auswirkungen der Vibration durch Wartung des Werkzeugs und des Zubehörs, halten Sie Ihre Hände warm und organisieren Sie Ihren Arbeitsablauf.

### Beschreibung

Die Ziffern im nachstehenden Text verweisen auf die Abbildungen auf Seite 2-4.

1. Ein-/Ausschalter
2. Tiefenbegrenzung
3. Spannfutterschutz
4. Motor
5. Bohrtiefenhebel
6. Tischjustierung
7. Not-Aus
8. Befestigungsschraube
9. Spannfutter
10. Tischhalterung
11. Säule
12. Schrauben
13. Fußplatte
14. Obere Keilriemenabdeckung
15. Untere Keilriemenabdeckung
16. Abdeckungsverriegelung
17. Motorplatte
18. Riemenspannungsverriegelung
19. Tisch
20. Sechskantschraube
21. Spindel
22. Spannfutterschlüssel

Prüfen Sie die Maschine, die losen Teile und Zubehörteile auf Transportschäden.

## 2. SICHERHEITSVORSCHRIFTEN

### Erläuterung der Symbole

In dieser Betriebsanleitung erscheinen folgende Piktogramme:



*Lebens- und Verletzungsgefahr und Gefahr von Beschädigungen am Gerät bei Nichteinhaltung der Sicherheitsvorschriften in dieser Anleitung.*



*Deutet das Vorhandensein elektrischer Spannung an.*



*Ziehen Sie, falls das Kabel beschädigt wird und auch während Wartungsarbeiten, sofort den Netzstecker.*



*Umstehende fernhalten.*



*Schutzbrille und Gehörschutz tragen.*

### Während des Betriebs sind folgende Punkte zu beachten:

- Keine mechanischen oder elektrischen Schutzvorrichtungen entfernen.
- Prüfen, ob alle Schutzvorrichtungen angebracht und einwandfrei befestigt sind.
- Beim Bohren Schutzbrille tragen.
- Bei langen Haaren unbedingt Haarschutz tragen (Haarnetz oder Mütze). Langes Haar bleibt leicht an drehenden Teilen hängen!
- Enganliegende Kleidung tragen; Bund am Jackenärmel schließen.
- Keine Werkstücke beim Bohren in der Hand halten. Verwenden Sie stets einen Maschinenschraubstock oder ein anderes Spannwerkzeug.
- Werkstücke und Spannwerkzeuge auf dem Tisch gegen Mitreißen sichern. Diese entweder selbst mit Schrauben befestigen oder in einem auf dem Tisch festgeschraubten Maschinenschraubstock einspannen.
- Prüfen, ob das Bohrfutter einwandfrei spannt.
- Prüfen, ob die Kabeleinführungen in Ordnung sind.
- Zum Entfernen der Bohrspäne nur Handfeger, Pinsel, Gummiwischer, Spänehooken oder ähnliche Hilfsmittel verwenden.
- An laufenden Maschinen keine Reinigungs- und Schmierarbeiten durchführen.
- Keilriemen immer abgedeckt halten (Schutz gegen Hineingreifen)
- Zahnkranzbohrfutter nur mit dem Schlüssel anziehen.
- Bohrfutterschlüssel niemals im Bohrfutter stecken lassen! Vergewissern Sie sich vor dem

Einschalten der Maschine, daß der Schlüssel abgezogen wurde!

- Keine am Schaft beschädigten Bohrer oder Werkstücke verwenden.
- Die Bohrmaschine ist für Fräsarbeiten nicht geeignet!
- Bei der Beschädigung der Anschlußleitung darf nur durch die gleiche Spezialleitung ersetzt werden.

#### Das Gerät sofort ausschalten bei:

- Störung im Netzstecker, dem Netzkabel oder Schnurbeschädigung.
- Defektem Schalter.
- Rauch oder Gestank verschmorter Isolation.

#### Elektrische Sicherheit

Beachten Sie beim Benutzen von Elektromaschinen immer die örtlichen Sicherheitsvorschriften bezüglich Feuerrisiko, Elektroschock und Verletzung. Lesen Sie außer den folgenden Hinweisen ebenfalls die Sicherheitsvorschriften im einschlägigen Sonderteil.



*Überprüfen Sie immer, ob Ihre Netzspannung der des Typenschildes entspricht.*



*Bei einem Spannungsabfall im Steuerstromkreis fallen die Wendeschütze ab. Auch wenn danach die Spannung wieder anliegt, läuft aus Sicherheitsgründen die Maschine nicht mehr selbständig an. Sie muß erneut eingeschaltet werden.*

#### Austauschen von Kabeln oder Steckern

Entsorgen Sie alte Kabel oder Stecker, unmittelbar nachdem Sie durch neue ersetzt sind. Das Anschließen eines Steckers eines losen Kabels an eine Steckdose ist gefährlich.

#### Verwendung von Verlängerungskabeln

Benutzen Sie nur ein genehmigtes Verlängerungskabel, das der Maschinenleistung entspricht. Die Ader müssen einen Mindestquerschnitt von 1,5 mm<sup>2</sup> haben. Befindet das Kabel sich auf einem Haspel, muß es völlig abgerollt werden.

## 3. MONTAGE

#### Abb. B, F

- Legen Sie sich die Grundplatte (13) der Maschine zurecht.
- Befestigen Sie die Säule (11) mit den beiliegenden Bolzen (12) auf der Grundplatte (13).
- Schieben Sie nun den Bohrtischhalter (10) mit dem Bohrtisch über die Säule (11). Mit der Klemmschraube (6) wird die Baugruppe in der gewünschten Lage arretiert.
- Nun können Sie das Maschinengehäuse (7) montieren und mit den Gewindestiften (8) sichern.
- Bringen Sie die Halterung des Spannfutterschutzes an der Spindel (21) an und ziehen Sie die Schlitzschraube fest.
- Reinigen Sie das konische Loch im Spannfutter (9) sowie die Spindel mit einem sauberen Tuch. Achten Sie darauf, dass keine Fremdkörper an den Oberflächen haften.
- Schieben Sie das Spannfutter (9) so weit wie möglich nach oben auf die Spindel (21).
- Bringen Sie den durchsichtigen Spannfutterschutz (3) an der Halterung des Spannfutterschutzes (9) an und ziehen Sie die Befestigungsschrauben fest.
- Da die Bohrspindel im Werk geschmiert wurde, ist es ratsam, die Maschine vor Gebrauch etwa 15 Minuten bei niedrigster Drehzahl laufen zu lassen.



*Bevor Sie das Spannfutter auf die Bohrspindel schieben, müssen das Innere des Spannfutters und das Äußere der Spindel absolut frei von Schmiermittel sein!*

#### Aufstellen der Tischbohrmaschine

Vor der Inbetriebnahme ist die Bohrmaschine fest auf einer Arbeitsplatte zu montieren. Dazu besitzt die Grundplatte (13) Bohrungen. Dort ist die Grundplatte mit der Arbeitsplatte durch Schrauben fest zu verbinden. Erfolgt die Befestigung auf einer Holzplatte, so werden auf der Gegenseite ausreichend große Beilagscheiben verwendet, damit sich die Muttern nicht im Holz eindrücken, und sich die Maschine nicht lockert.



*Die Befestigungsschrauben dürfen nur so angezogen werden, daß sich die Grundplatte nicht verspannt oder verformt. Beim*

*übermäßiger Beanspruchung besteht die Gefahr eines Bruches.*

Prüfen Sie die Keilriemenspannung, bevor Sie die Maschine am Stromnetz anschließen.

### Einstellen verschiedener Spindeldrehzahlen

#### Abb. C

Die verschiedenen Spindeldrehzahlen können durch Umsetzen des Keilriemens im Riemenantrieb eingestellt werden. Dazu ist die Maschine abzuschalten, und der Netzstecker zu ziehen. Das Umsetzen des Keilriemens geschieht folgendmaßen:

- Vor dem Öffnen des Keilriemengehäuses (14) Netzstecker ziehen!
- Feststellschraube (18) lösen und den Motor in Richtung Maschinenkopf (17) schieben; dadurch entspannt sich der Keilriemen.
- Keilriemen gemäß der Tabelle auf der Innenseite des Keilriemendeckels umsetzen.
- Keilriemen wieder spannen, indem Sie den Motorplatte (17) nach hinten drücken. Anschließend wird die Spannvorrichtung mit der Feststellschraube (18) geklemmt.
- Keilriemengehäuse schließen und den Netzstecker einstecken. Die Maschine ist wieder betriebsbereit.



*Deckel des Keilriemengehäuses beim Betriebstest geschlossen halten.*

#### Abb. C & D

Die Spannung ist richtig eingestellt, wenn sich der Keilriemen etwa 1 cm durchdrücken läßt. Die Keilriemenscheiben müssen horizontal fluchten, damit der vorzeitige Verschleiß und das Herunterspringen des Keilriemens verhindert wird. Dazu kann die Keilriemenscheibe (15) am Motor nach Lösen des Gewindestiftes längs der Motorwelle verschoben werden.

### Spindeldrehzahlen

#### Abb. E

Keilriemenposition	Drehzahl/min
1	500
2	890
3	1400
4	1900
5	2500

Die Spindeldrehzahlen und Keilriemenkombinationen können der Abbildung und der Tabelle entnommen werden.

## 4. GEBRAUCH, HINWEISE UND TIPS

### Tiefenanschlag

#### Abb. A-1

Die Bohrspindel besitzt einen Tiefenanschlag (2). Zur Einstellung dient die Mutter An dem Skalenzeiger kann die Bohrtiefe abgelesen werden.

### Einspannen des Bohres

#### Abb. F

Im Bohrfutter der Tischbohrmaschine können Bohrer und andere Werkzeuge mit zylindrischem Schaft gespannt werden. Das Drehmoment wird durch die Spannkraft der drei Spannbacken auf den Bohrer übertragen. Der Bohrer ist - um ein Durchrutschen zu verhindern - mit Hilfe des Zahnkranzschlüssels festzuklemmen. Beim Durchrutschen des Bohrers im Spannfutter entsteht am Bohrer Schaft sehr leicht ein Grat, der ein zentrisches Spannen unmöglich macht. Ein so entstandener Grat muß in jedem Fall durch Schleifen entfernt werden.

### Einspannen des Werkstückes

#### Abb. G

Der Bohrtisch und die Grundplatte der Tischbohrmaschine sind mit Bolzen zur Befestigung von Spannwerkzeugen ausgestattet. Spannen Sie das Werkstück immer im Maschinenschraubstock oder anderen Spannwerkzeugen fest. Sie vermeiden dadurch Unfallgefahren und erhöhen sogar die Bohrgenauigkeit, da das Werkstück nicht "schlägt".

### Tischverstellung

Der Bohrtisch ist an der Bohrsäule befestigt und kann nach Lösen des Klemmhels (6) in der Höhe verstellt werden. Stellen Sie den Tisch so ein, daß zwischen Werkstückoberkante und Bohrerspitze genügend Abstand bleibt. Den Tisch können Sie auch zur Seite ausschwenken, wenn Sie ein Werkstück direkt auf die Grundplatte spannen wollen.

#### Abb. I

Für schräge Bohrungen und bei schräger Auflagefläche des Werkstückes kann der Tisch (19) geschwenkt werden. Lösen Sie dazu die

Sechskantschraube (20) am Drehgelenk des Tisches und entfernen Sie die Zentrierung. Schwenken Sie den Tisch in die gewünschte Lage. Nun wird mit einem Gabelschlüssel die Sechskantschraube (20) wieder fest angezogen. Beim Zurückstellen des Tisches (19) wird die Arretierungsmutter mit dem Bolzen (20) zur waagerechten Zentrierung wieder eingesetzt.

### Drehzahl, Schnittgeschwindigkeit, Vorschub

Der Vorschub - die Zustellung des Bohres - erfolgt von Hand am 3-armigen Bohrhebel. Die Schnittgeschwindigkeit wird durch die Drehzahl der Bohrspindel und durch den Bohrdurchmesser bestimmt. Die richtige Wahl des Vorschubes und Spindeldrehzahl sind für die Standzeit des Bohrers ausschlaggebend. Als Grundregel gilt: bei zunehmendem Bohrerdurchmesser muß die Drehzahl herabgesetzt werden; je größer die Festigkeit des Werkstückes ist, umso größer muß auch der Schneiddruck sein. Damit sich der Bohrer dabei nicht übermäßig erwärmt, müssen gleichzeitig Vorschub und Schnittgeschwindigkeit herabgesetzt werden. Außerdem sollte der Bohrer mit Bohrl gekühlt werden. Bei Feinblechen müssen größere Bohrungen vorsichtig mit geringem Vorschub und Schneiddruck ausgeführt werden, damit der Bohrer nicht "hackt" und die Bohrung maßhaltig bleibt. Bei tiefen Bohrungen (größer als 2x Bohrerdurchmesser) ist die Spanabfuhr beschwert und die Erwärmung des Bohrers größer. Setzen Sie auch hier Vorschub und Drehzahl herab und sorgen Sie durch wiederholtes Zurückziehen des Bohrers für eine bessere Spanabfuhr. Bei Bohrungen über 8 mm Durchmesser sollte vorgebohrt werden, damit die vorzeitige Abnutzung der Bohrer-Haupt-schneide vermieden wird und die Bohrspitze nicht zu stark belastet wird.

## 5. WARTUNG



*Trennen Sie die Maschine vom Netz, wenn Sie am Mechanismus Wartungsarbeiten ausführen müssen.*

Diese Maschinen sind so konzipiert, dass sie lange Zeit bei minimalem Wartungsaufwand problemlos funktionieren. Durch regelmäßiges Reinigen und sachgerechte Behandlung verlängern Sie die Lebensdauer Ihrer Maschine.

### Reinigen

Reinigen Sie das Maschinengehäuse regelmäßig mit einem weichen Tuch, vorzugsweise nach jedem Einsatz. Halten Sie die Lüfterschlitzte frei von Staub und Schmutz.

Entfernen Sie hartnäckigen Schmutz mit einem weichen Tuch, angefeuchtet mit Seifenwasser. Verwenden Sie keine Lösungsmittel wie Benzin, Alkohol, Ammonia, usw. Derartige Stoffe beschädigen die Kunststoffteile.

### Schmierung

Jedes Lager der Bohrmaschine wurde im Herstellerwerk vorgeschmiert. Weiteres Schmieren ist nicht erforderlich. Von Zeit zu Zeit sollten Sie die Zahnräder und Zahnstangen, den Hebemechanismus des Bohrtisches, die Spindel und die Verzahnung der Hohlspindel schmieren. Öffnen Sie die Antriebsriemen-Abdeckung und geben Sie etwas Öl auf die Spindelwelle. Es darf kein Öl auf den Antriebsriemen kommen!

### Störungen

Sollte beispielsweise nach Abnutzung eines Teils ein Fehler auftreten, dann setzen Sie sich bitte mit der auf der Garantiekarte angegebenen Service-adresse in Verbindung. Im hinteren Teil dieser Anleitung befindet sich eine ausführliche Übersicht über die Teile, die bestellt werden können.

## UMWELT

Um Transportschäden zu verhindern, wird die Maschine in einer soliden Verpackung geliefert. Die Verpackung besteht weitgehend aus verwertbarem Material. Benutzen Sie also die Möglichkeit zum Recycling der Verpackung.



*Schadhafte und/oder entsorgte elektrische oder elektronische Geräte müssen an den dafür vorgesehenen Recycling-Stellen abgegeben werden.*

### Nur für EG-Länder

Entsorgen Sie Elektrowerkzeuge nicht über den Hausmüll. Entsprechend der Europäischen Richtlinie 2012/19/EU für Elektro- und Elektronikschrott sowie der Einführung in das nationale Recht müssen Elektrowerkzeuge, die

nicht mehr im Gebrauch sind, getrennt gesammelt und umweltfreundlich entsorgt werden.

## GARANTIE

Lesen Sie die Garantiebedingungen auf der separat beigefügten Garantiekarte.

**Das Produkt und das Benutzerhandbuch können geändert werden. Die technischen Daten können ohne Vorankündigung geändert werden.**

## TAFELBOORMACHINE TDM1026

**Hartelijk dank voor de aanschaf van dit Ferm product.** Hiermee heeft u een uitstekend product aangeschaft van één van de toonaangevende Europese distributeurs. Alle Ferm producten worden gefabriceerd volgens de hoogste prestatie- en veiligheidsnormen. Deel van onze filosofie is de uitstekende klantenservice die wordt ondersteund door onze uitgebreide garantie. Wij hopen dat u vele jaren naar tevredenheid gebruik zult maken van dit product.



*Lees deze gebruiksaanwijzing zorgvuldig door, voor u de machine in gebruik neemt. Maak u vertrouwd met de werking en de bediening. Onderhoud de machine volgens de aanwijzingen, zodat zij altijd naar behoren blijft functioneren. Deze gebruiksaanwijzing en de bijbehorende documentatie dienen in de buurt van de machine bewaard te worden.*

## 1. MACHINEGEGEVENS

### Technische specificaties

Spanning	230 V~
Frequentie	50 Hz
Opgenomen vermogen (S2)	350 W
Onbelast toerental	500 - 2500/min
Aantal snelheden	5
Capaciteit boorhouder	13 mm
Gewicht	14 kg
Lpa (geluidsdrukniveau)	71 dB(A) K=3
Lwa (geluidsvermogeniveau)	84 dB(A) K=3
Vibratiewaarde	<2.5 m/s <sup>2</sup>

### Trillingsniveau

Het trillingsemissieniveau, dat in deze gebruiksaanwijzing wordt vermeld, is gemeten in overeenstemming met een gestandaardiseerde test volgens EN 61029; deze mag worden gebruikt om twee machines met elkaar te vergelijken en als voorlopige beoordeling van de blootstelling aan trilling bij gebruik van de machine voor de vermelde toepassingen.

- gebruik van de machine voor andere toepassingen, of met andere of slecht onderhouden accessoires, kan het blootstellingsniveau aanzienlijk verhogen.

- wanneer de machine is uitgeschakeld of wanneer deze loopt maar geen werk verricht, kan dit het blootstellingsniveau aanzienlijk reduceren.

Bescherm uzelf tegen de gevolgen van trilling door de machine en de accessoires te onderhouden, uw handen warm te houden en uw werkwijze te organiseren.

### Beschrijving

De nummers in de tekst verwijzen naar de illustraties op pagina 2-4.

1. Aan/Uit-schakelaar
2. Dieptebegrenzer
3. Boorhouder bescherming
4. Motor
5. Boordiepte hendel
6. Tafel afstelling
7. Noodstopschakelaar
8. Bevestigingsschroef
9. Boorhouder
10. Tafelhouder
11. Kolom
12. Bouten
13. Voetplaat
14. Bovenste v-riem deksel
15. Onderste v-riem deksel
16. Deksel vergrendeling
17. Motorplaatje
18. Riemsparing vergrendeling
19. Tafel
20. Inbusschroef
21. As
22. Boorhouder sleutel

Controleer eerst of de levering niet door het transport beschadigd is en of alle onderdelen aanwezig zijn.

## 2. VEILIGHEIDSVOORSCHRIFTEN

### Uitleg van de symbolen

In deze gebruiksaanwijzing worden de volgende pictogrammen gebruikt:



*Gevaar voor lichamelijk letsel of materiële schade wanneer de instructies in deze handleiding niet worden opgevolgd.*



*Gevaar voor elektrische schok.*



*Verwijder onmiddellijk de stekker uit het stopcontact bij beschadiging van het snoer en tijdens onderhoudswerkzaamheden.*



*Draag oog- en gehoorbescherming.*



*Houd omstanders op afstand.*

### Tijdens het gebruik dienen de volgende punten in acht te worden genomen:

- Geen mechanische of elektrische beschermingsvoorzieningen verwijderen.
- Controleer of alle beschermingsvoorzieningen op hun plaats zijn en correct zijn bevestigd.
- Bij het boren een veiligheidsbril dragen.
- Bij lang haar beslist haarbescherming dragen (haarnetje of muts). Lang haar blijft gemakkelijk aan draaiende onderdelen hangen.
- Nauwe kleding dragen; knopen aan de mouwen sluiten.
- Houd geen werkstukken bij het boren in de hand. Gebruik altijd een machineklem of een ander spangereedschap.
- Beveilig werkstukken en spangereedschappen op de tafel tegen meeslepen. Bevestig ze of zelf met schroeven of klem ze in een op de tafel vastgeschroefde machineklem.
- Controleer of de boorhouder goed spant.
- Controleer of de kabeldoorvoeren in orde zijn.
- Gebruik voor het verwijderen van boorspaanders uitsluitend handvegers, kwasten, rubberwissers, spaanhaken of overeenkomstige hulpmiddelen.
- Verricht geen schoonmaak- of smeerwerkzaamheden aan machines die in bedrijf zijn.
- Houd V-snaren altijd afgedekt (zodat de handen er niet in kunnen komen).
- Draai de tandkransboorhouder alleen met de sleutel aan.
- Laat de sleutel van de boorhouder nooit in de boorhouder zitten! Controleer voor het inschakelen van de machine of de sleutel daadwerkelijk is verwijderd!
- Gebruik geen boren die aan de schacht zijn beschadigd.

- De boormachine is niet geschikt voor freeswerkzaamheden!
- Als het netsnoer is beschadigd, mag dat uitsluitend worden vervangen door een gelijkwaardig netsnoer.

#### Het apparaat onmiddellijk uitzetten bij:

- Storing in de netstekker, netsnoer of snoerbeschadiging.
- Defecte schakelaar.
- Rook of stank van verschroeide isolatie.

#### Elektrische veiligheid

Neem bij het gebruik van elektrische machines altijd de plaatselijk geldende veiligheidsvoorschriften in acht in verband met brandgevaar, gevaar voor elektrische schokken en lichamelijk letsel. Lees behalve onderstaande instructies ook de veiligheidsvoorschriften in het apart bijgevoegde veiligheidskatern door.



*Controleer altijd of uw netspanning overeenkomt met de waarde op het typeplaatje.*



*De machine is voorzien van een nulspanningsschakelaar. Na het wegvallen van de spanning begint de machine uit veiligheidsoverwegingen niet meer automatisch te lopen. De machine moet opnieuw worden ingeschakeld.*

#### Bij vervanging van snoeren of stekkers

Wanneer het netsnoer beschadigd raakt, dan dient het vervangen te worden door een speciaal netsnoer dat verkrijgbaar is bij de fabrikant of de customer service van de fabrikant. Gooi oude snoeren of stekkers direct weg zodra ze door nieuwe exemplaren zijn vervangen. Het is gevaarlijk om de stekker van een los snoer in een stopcontact te steken.

#### Bij gebruik van verlengsnoeren

Gebruik uitsluitend een goedgekeurd verlengsnoer, dat geschikt is voor het vermogen van de machine. De aders moeten een doorsnede hebben van minimaal 1,5 mm<sup>2</sup>. Wanneer het verlengsnoer op een haspel zit, rol het snoer dan helemaal af.

## 3. MONTAGE

#### Fig. B, F

- Zet de voetplaat (13) op de juiste plaats.
- Bevestig de kolom (11) met de bijgevoegde bouten 12) op de voetplaat.
- Schuif nu de boortafelhouder (10) met de boortafel over de kolom. Met de klemhendel (6) wordt de boortafel in de gewenste positie vastgezet.
- Nu kunt u de machinebehuizing (7) monteren en met de borgpennen (8) borgen.
- Monteer de boorhouder bescherming op de as (21) en draai de schroeven vast.
- Reinig het conische gat in de boorhouder (9) en de as met een schone doek. Zorg ervoor dat er geen vuil aan het oppervlak plakt.
- Druk de boorhouder (9) met kracht in de as (21), zover als het kan.
- Monteer de doorzichtige boorhouder bescherming (3) op de boorhouder (9) en bevestig deze met de schroeven.
- Omdat de booras in de fabriek is gesmeerd, raden wij aan dat u de machine voor gebruik eerst 15 minuten op de laagste stand laat warmdraaien.



*Voordat u de boorhouder in de as duwt, moet u controleren dat er geen smeermiddel op de binnenkant van de boorhouder en de buitenkant van de as zit!*

#### Opstellen van de tafelboormachine

Voor ingebruikname dient de boormachine op een vaste ondergrond te worden gemonteerd. De voetplaat (13) is daarom voorzien van boorgaten. Op die plaats kan de voetplaat door middel van schroeven aan de ondergrond worden gemonteerd. Als er op een houten plaat wordt bevestigd, dienen op de tegenoverliggende zijde voldoende grote sluitringen te worden gebruikt, zodat de moeren niet in het hout worden gedrukt en de machine los kan raken.



*De bevestigingsschroeven mogen zover worden vastgedraaid, dat de voetplaat niet wordt gespannen of vervormd. Bij een te grote spanning bestaat het risico van een breuk.*



## Toerentallen van de boorspindel

### Fig. C

De verschillende toerentallen van de boorspindel kunnen via het omzetten van de V-snaar in de snaaraandrijving (15) worden ingesteld. Vooraf dient de machine uitgeschakeld te worden en de stekker uit het stopcontact worden gehaald. Het omzetten van de V-snaar gaat als volgt:

- Haal voor het openen van de beschermkap (14) de stekker uit het stopcontact!
- De knop (18) losdraaien en de motor in de richting van de machinekop schuiven, waarop de V-snaar losraakt.
- De V-snaar volgens de tabel aan de binnenzijde van het V-snaardeksel omzetten.
- De V-snaar opnieuw spannen, door de motorplaat (17) naar achteren te drukken. Vervolgens wordt de spaninrichting met de vastzetknop (18) vastgeklemd.
- Sluit de beschermkap van de V-snaar en steek de stekker in het stopcontact. De machine is wederom klaar voor gebruik.



*Houd het deksel van de behuizing van de V-snaar tijdens gebruik gesloten.*

### Fig. C & D

Als u de V-snaar heeft omgelegd, dient u deze via de motorplaat (17) met de vastzetknop (18) weer te spannen. De spanning is juist, wanneer de V-snaar zich ca. 1 cm in laat drukken. De motorpoelie moet horizontaal worden uitgelijnd, zodat voortijdige slijtage en het losraken van de V-snaar wordt voorkomen. Hiertoe kan de motorpoelie (15) aan de motor na het losmaken van de inbusbout langs de motoras worden verschoven.

## Spindel snelheden

### Fig. E

Positie van V-snaar	Toeren/min
1	500
2	890
3	1400
4	1900
5	2500

De toerentallen van de boorspindel en de V-snaarcombinaties kunnen uit de afbeelding en de tabel worden afgelezen.

Test de V-snaarspanning voordat u de machine aan het elektriciteitsnet aansluit.

## 4. BEDIENING, AANWIJZINGEN EN TIPS

### Diepteaanslag

#### Fig. A-1

De boorspindel is voorzien van een diepteaanslag (2). Met de moer kan deze worden ingesteld. Op de schaalverdeling kan de boordiepte worden afgelezen.

### Inklemmen van de boor

#### Fig. F

In de boorkop van de tafelboormachine kunnen boren en andere gereedschappen met cilindrische schacht worden geklemd. Het draaimoment wordt via de spankracht van de drie klembekken op de boor overgedragen. De boor dient - om wegglijpen te voorkomen - met behulp van de tandkranssleutel vast te worden geklemd. Bij het wegglijpen van de boor in de boorhouder ontstaat aan de boorschacht een lichte braam, die een centrisch klemmen onmogelijk maakt. Een op die wijze ontstane braam moet in ieder geval door te slijpen worden verwijderd.

### Inklemmen van het werkstuk

#### Fig. G

De boortafel en de voetplaat van de tafelboormachine zijn voorzien van groeven ter bevestiging van spangereedschappen. Klem het werkstuk altijd in de machineklem of andere spangereedschappen vast. U voorkomt daardoor ongevallen en verhoogt zelfs de boorprecisie, omdat het werkstuk niet „slaat“.

### Tafelverstelling

De boortafel is aan de boorkolom bevestigd en kan na het losmaken van de vastzethendel (6) in hoogte worden versteld. Stel de tafel dusdanig in, dat er tussen de bovenkant van het werkstuk en de punt van de boor voldoende afstand over blijft. De tafel kunt u ook zijwaarts zwenken, wanneer u een werkstuk direct op de voetplaat wilt klemmen.

#### Fig. I

Voor schuine boringen en bij schuin ondersteuningsvlak van het werkstuk kan de tafel

worden gezwenkt. Draai daarvoor de zeskantschroef (20) aan het draaipunt van de tafel los en verwijder de centrering. Zwenk de tafel in de gewenste positie. Schroef vervolgens met een steeksleutel de zeskantschroef (20) weer goed vast.

### Toerental, draaisnelheid, toevoer

De toevoer - de aanzetbeweging van de boor - geschiedt met de hand aan de 3-armige boorhefboom. De draaisnelheid wordt door het toerental van de boerspindel en door de diameter van de boor bepaald.

De juiste keuze van de toevoer en het toerental van de boerspindel zijn voor de levensduur van de boor doorslaggevend. Als basisregel geldt: bij een grotere diameter van de boor moet het toerental lager worden gesteld; hoe groter de stevigheid van het werkstuk is, desto groter moet ook de snijdruk zijn. Opdat de boor daarbij niet overmatig wordt verhit, moeten gelijktijdig de toevoer en de draaisnelheid worden verlaagd. Bovendien dient de boor met boorolie te worden gekoeld. Bij dunne platen moeten vrij grote boringen voorzichtig met geringe toevoer en geringe snijdruk worden uitgevoerd, opdat de boor niet „hakt“ en de boring op maat blijft. Bij diepe boringen (groter dan 2x de diameter van de boor) is de spaanafvoer moeilijker en de verhitting van de boor groter. Verlaag ook dan de toevoer en het toerental en zorg door regelmatig terugtrekken van de boor voor een betere spaanafvoer. Bij boringen met een grotere diameter dan 8 mm moet worden voorgeboord, opdat een voortijdige slijtage van de boor - hoofdsnijkant vermeden wordt en de boorpunt niet te zwaar wordt belast.

## 5. ONDERHOUD



*Zorg dat de machine niet onder spanning staat wanneer onderhoudswerkzaamheden aan het mechaniek worden uitgevoerd.*

Deze machines zijn ontworpen om gedurende lange tijd probleemloos te functioneren met een minimum aan onderhoud. Door de machine regelmatig te reinigen en op de juiste wijze te behandelen, draagt u bij aan een hoge levensduur van uw machine.

### Reinigen

Reinig de machinebehuizing regelmatig met een zachte doek, bij voorkeur iedere keer na gebruik. Zorg dat de ventilatiesleuven vrij van stof en vuil zijn. Gebruik bij hardnekkig vuil een zachte doek bevochtigd met zeepwater. Gebruik geen oplosmiddelen als benzine, alcohol, ammonia, etc. Dergelijke stoffen beschadigen de kunststof onderdelen.

### Smering

Alle lagers van de boormachine werden in de fabriek van smering voorzien. Verdere smering is niet noodzakelijk. Smeer van tijd tot tijd de tandwielen en tandstangen, het tafelhefmechanisme, de spindel en de tandstangentanden van de holle as. Open de riemafdekking en sproei een klein beetje olie op de spindelassen. Er mag geen olie op de riem terecht komen!

### Storingen

Wanneer er zich een storing voordoet, bijvoorbeeld bij slijtage van een onderdeel, neem dan contact op met het onderhoudsadres op de garantiekaart. Achter in deze handleiding ziet u een opengewerkte afbeelding van de onderdelen die besteld kunnen worden.

## MILIEU

Om transportbeschadiging te voorkomen, wordt de machine in een stevige verpakking geleverd. De verpakking is zo veel mogelijk gemaakt van recyclebaar materiaal. Maak daarom gebruik van de mogelijkheid om de verpakking te recyclen.



*Defecte en/of afgedankte elektrische of elektronische gereedschappen dienen ter verwerking te worden aangeboden aan een daarvoor verantwoordelijke instantie.*

### Uitsluitend voor EG-landen

Werp elektrisch gereedschap niet weg bij het huisvuil. Volgens de Europese Richtlijn 2012/19/EU voor Afgedankte Elektrische en Elektronische Apparatuur en de implementatie ervan in nationaal recht moet niet langer te gebruiken elektrisch gereedschap gescheiden worden

verzameld en op een milieuvriendelijke wijze worden verwerkt.

## GARANTIE

Lees voor de garantievoorzwaarden de apart bijgevoegde garantiekaart.

**Het product en de gebruikershandleiding zijn onderhevig aan wijzigingen. Specificaties kunnen zonder opgaaf van redenen worden gewijzigd.**

## PERCEUSE À COLONNE TDM1026

### Merci pour votre achat de ce produit Ferm.

Vous disposez maintenant d'un excellent produit, proposé par l'un des principaux fabricants européens. Tous les produits que vous fournit Ferm sont fabriqués selon les normes les plus exigeantes en matière de performances et de sécurité. Complété par notre garantie très complète, l'excellence de notre service clientèle forme également partie intégrante de notre philosophie. Nous espérons que vous profiterez longtemps de ce produit.



*Lisez attentivement ce mode d'emploi avant la mise en service de l'appareil. Familiarisez-vous avec le fonctionnement et la manipulation de l'appareil. Entretenez l'appareil conformément aux instructions, afin qu'il fonctionne parfaitement à chaque utilisation. Ce mode d'emploi et toute documentation relative à l'appareil doivent être conservés près de celui-ci.*

## 1. INFORMATIONS SUR LA MACHINE

### Spécifications techniques

Tension	230 V~
Fréquence	50 Hz
Puissance consommée (S2)	350 W
Vitesse à vide	500 - 2500/min
No. vitesse	5
Mandrin capacité	13 mm
Poids	14 kg
Lpa (Niv. de pression acoustique)	71 dB(A) K=3
Lpa (Niv. de puissance acoustique)	84 dB(A) K=3
Vibration	<2.5 m/s <sup>2</sup>

### Niveau de vibrations

Le niveau de vibrations émises indiqué en ce manuel d'instruction a été mesuré conformément à l'essai normalisé de la norme EN 61029; il peut être utilisé pour comparer plusieurs outils et pour réaliser une évaluation préliminaire de l'exposition aux vibrations lors de l'utilisation de l'outil pour les applications mentionnées.

- l'utilisation de l'outil dans d'autres applications, ou avec des accessoires différents ou mal

entretenus, peut considérablement augmenter le niveau d'exposition.

- la mise hors tension de l'outil et sa non-utilisation pendant qu'il est allumé peuvent considérablement réduire le niveau d'exposition.

Protégez-vous contre les effets des vibrations par un entretien correct de l'outil et de ses accessoires, en gardant vos mains chaudes et en structurant vos schémas de travail.

### Description

Les numéros dans le texte se rapportent aux schémas des pages 2-4.

1. Interrupteur Marche/Arrêt
2. Limiteur de profondeur
3. Protège-mandrin
4. Moteur
5. Poignée de profondeur de perçage
6. Réglage du plateau
7. Interrupteur d'arrêt d'urgence
8. Vis de fixation
9. Mandrin
10. Support du plateau
11. Colonne
12. Boulons
13. Semelle
14. Cache supérieur courroie en V
15. Cache inférieur courroie en V
16. Verrouillage du cache
17. Plaque moteur
18. Verrouillage tension de la courroie
19. Plateau
20. Vis à 6 pans
21. Axe
22. Clé de mandrin

Vérifier la machine, les pièces et accessoires mobiles pour détecter les dommages éventuels.

## 2. CONSIGNES DE SÉCURITÉ

### Explication des symboles

Dans ce mode d'emploi, il est fait usage des pictogrammes suivants:



*Indique un risque de blessures, un danger mortel ou un risque d'endommagement de l'outil en cas du non-respect des consignes de ce mode d'emploi.*



*Indique un risque de décharges électriques.*



*Débranchez immédiatement la fiche de l'alimentation électrique principal dans le cas où la corde est endommagée et pendant la.*



*Protégez-vous les yeux et les oreilles.*



*Ne laissez aucune personne s'approcher de la zone de travail.*



### Pendant l'utilisation les points suivants doivent être pris en considération:

- Ne pas éloigner des dispositifs mécaniques ou électriques de sécurité.
- Contrôler si tous les dispositifs de sécurité sont en place et fixés correctement.
- Porter des lunettes pendant le forage.
- Dans le cas de cheveux longs, porter surtout une protection des cheveux (filet ou bonnet). Les cheveux longs se prennent facilement dans les parties rotatives.
- Porter des vêtements serrés et fermer les boutons aux poignets.
- Ne pas tenir de pièces à usiner dans la main lors du forage. Utiliser toujours un étau ou un autre outil de serrage.
- Protéger les pièces à usiner et les outils de serrage sur contre l'entraînement. Les fixer soi-même avec des vis ou les coincer dans un étau vissé sur la table.
- Vérifier si le porte-foret est bien tendu.
- Vérifier si les conduites de câbles sont en ordre.
- Utiliser uniquement des balayettes, des pinceaux, des balais de séchage en caoutchouc, crochets à copeaux ou autre matériel similaire, pour enlever les copeaux de forage.
- Ne pas faire de travaux de graissage ou de nettoyage sur une machine en service.
- Tenir les courroies trapézoïdales toujours couvertes, (de sorte que les mains ne peuvent y être prises).
- Utiliser toujours des clés pour le serrage du mandrin à couronne dentée.
- Ne jamais laisser la clé du mandrin dans

le mandrin! Avant la mise en marche de la machine, vérifier si la clé a été effectivement retirée!

- Ne pas utiliser de forets qui sont endommagés à la tige.
- La perceuse à colonne n'est pas faite pour le travail de fraisage!
- Lorsque le câble électrique est endommagé, il ne doit être remplacé que par un câble équivalent.

#### Arrêter immédiatement l'appareil en cas de:

- Court-circuit de la fiche-secteur ou du fil d'alimentation ou endommagement du fil d'alimentation.
- Interrupteur défectueux.
- Fumée ou odeur d'isolant brûlé.

#### Sécurité électrique

Lors d'utilisation de machines électriques, observez les consignes de sécurité locales en vigueur en matière de risque d'incendie, de chocs électriques et de lésion corporelle. En plus des instructions ci-dessous, lisez entièrement les consignes de sécurité contenues dans le cahier de sécurité fourni à part.



*Vérifiez toujours si la tension de votre réseau correspond à la valeur mentionnée sur la plaque signalétique.*



*La machine est pourvue d'un interrupteur de tension zéro. Par mesure de sécurité la machine ne commencera pas à marcher automatiquement après une coupure de la tension. Elle devra à nouveau être remise en marche.*

En cas de changement de câbles ou de fiches Jetez immédiatement les câbles ou fiches usagés dès qu'ils sont remplacés par de nouveaux exemplaires. Il est dangereux de brancher la fiche d'un câble défectueux dans une prise de courant.

#### Utilisation de rallonges

Utilisez exclusivement des rallonges supportant le voltage de l'outil. Les brins doivent avoir une section de 1.5 mm<sup>2</sup> minimum. Si la rallonge est enroulée, déroulez-la complètement.

## 3. MONTAGE

#### Fig. B, F

- Placer le socle (13) à l'endroit voulu.
- Fixer la colonne (11) à l'aide des boulons (12) joints à la livraison, sur le socle.
- Glisser maintenant le porte-foret (10) avec la table sur la colonne. La table de forage est fixée dans la position voulue à l'aide du levier de fixation (6).
- Le capot de la machine (7) pourra maintenant être monté et fixé à l'aide des goupilles d'arrêt (8).
- Installez le support du protège-mandrin sur l'axe (21) et serrez la vis fendue.
- Nettoyez le trou conique du mandrin (9) et l'axe à l'aide d'un chiffon propre. Assurez-vous qu'aucun corps étranger n'est collé sur les surfaces.
- Poussez fermement le mandrin (9) sur l'axe (21) aussi loin que possible.
- Installez le protège-mandrin (3) sur le support du protège-mandrin (9) et serrez les vis de fixation.
- L'axe de la perceuse étant graissé en usine, il est conseillé de laisser tourner la machine pendant environ 15 minutes à son bas régime avant utilisation.



*Avant de pousser le mandrin sur l'axe de la perceuse, l'intérieur du mandrin et l'extérieur de l'axe doivent être parfaitement exempts de graisse!*

#### Installation de la perceuse à colonne

Avant de l'utiliser la perceuse à colonne doit être montée sur une surface fixe. C'est pourquoi le socle (13) est pourvu de trous de forage. Le socle peut être monté à cet endroit avec des vis sur la surface de support. Lorsqu'on monte sur une plaque en bois, il faut monter suffisamment de grandes rondelles de blocage sur la face opposée, afin d'éviter que les écrous ne soient enfoncés dans le bois et que la machine ne puisse pas se démonter.



*Les vis de fixation doivent être serrées à tel point que le socle ne soit pas tendu ni déformé. Trop de pression risque de faire briser le socle.*

## Reglage du régime de la broche de forage

### Fig. C

Les différents régimes de la broche de forage peuvent être réglés en changeant de position la courroie trapézoïdale dans la transmission. Mais auparavant le machine doit être mise à l'arrêt et la fiche retirée de la prise électrique. Le changement de position de la courroie trapézoïdale se fait de la façon suivante:

- Avant d'ouvrir le capot de la courroie (14), retirer la fiche de la prise électrique !
- Dévisser le bouton de fixation (18) et glisser le moteur dans la direction de la tête de la machine, ce qui libérera la courroie trapézoïdale (15).
- Déplacer la courroie selon les indications du schéma à l'intérieur du couvercle de la courroie trapézoïdale.
- Retendre la courroie, en poussant la plaque du moteur (17) vers l'arrière. Ensuite, bloquer la tension par le bouton de fixation (18).
- Refermer le capot de la courroie et brancher l'électricité. La machine est de nouveau prête à l'emploi.



*Tenir le couvercle du manteau de la courroie trapézoïdale fermé pendant l'utilisation de la machine.*

### Fig. C & D

Lorsque vous avez inversé la marche de la courroie, il faudra la retendre à l'aide du bouton de blocage (18) sur la plaque du moteur (17). La tension est bonne lorsqu'on peut enfoncer la courroie d'environ 1 cm. La poulie du moteur doit être alignée horizontalement, pour éviter l'usure prématurée et la libération de la courroie. Pour cela la poulie du moteur (15) peut être glissée sur l'axe du moteur, après avoir dévissé le boulon à six pans creux.

## Reglage du régime de la broche de forage

### Fig. E

Position courroie trapézoïdale	Régime/min
1	500
2	890
3	1400
4	1900
5	2500

Les régimes de la combinaison de la broche de forage et de la courroie trapézoïdale sont indiqués sur les dessins et schémas.

Tester la tension de la courroie trapézoïdale avant de brancher la machine sur le réseau électrique.

## 4. EMPLOYEZ, INDICATIONS ET CONSEILS

### Butée de profondeur

#### Fig. A-1

La broche à forage est pourvue d'une butée de profondeur. Celle-ci peut être réglée à l'aide de l'écrou. La profondeur de forage (2) peut être lue sur l'échelle graduée.

### Pour coincer le foret

#### Fig. F

Dans le mandrin de la perceuse à colonne on peut coincer des forets et autres outils à tige cylindrique. Le moment de la rotation est transmis à la foreuse par la force expansive des trois pinces de serrage. La foreuse doit être coincée à l'aide de la clé à mandrin afin d'éviter qu'elle ne s'échappe. Lorsque la foreuse s'échappe dans le porte-foreuse, cela formera une légère ébarbure à la tige de la foreuse ce qui rendra impossible le blocage axial. Une ébarbure produite de cette manière, devra en tous cas être supprimée par un polissage. Pour des forages en biais et dans le cas de surface de support en biais de la pièce à usiner, la table peut être tournée. Pour cela dévisser la vis.

### Coincement d'une pièce à usiner

#### Fig. G

La table de forage et le socle de la perceuse à colonne, sont pourvus de cannelures pour la fixation d'outils de serrage. Coincer toujours la pièce à usiner dans un étau ou autres outils de serrage. Vous éviterez ainsi des accidents et augmenterez même la précision de forage, car la pièce à usiner ne „bat“ pas.

### Réglages de la table

La table de la foreuse est fixée sur la colonne de forage et peut être réglée en hauteur lorsque le levier de fixation (6) a été libéré. Régler la table de manière à ce qu'il reste suffisamment d'espace

entre le haut de la pièce à usiner et la pointe du foret. La table peut aussi être déviée vers le côté, lorsqu'on veut coincer directement une pièce sur le socle.

#### Fig. 1

Réglage de la table hexagonale (20) sur le point de rotation de la table et retirer le centrage. Tourner la table dans la position voulue. Ensuite bien revisser la vis hexagonale (20) à l'aide d'une clé plate.

#### Regime, vitesse de rotation, amenee

La descente - le mouvement d'amorçage de la perceuse - se fait à la main sur le levier de forage à trois bras. La vitesse de rotation est déterminée par le nombre de tours de la broche de forage et par le diamètre du foret. Le choix juste de descente et le nombre de tours de la broche de forage forment un facteur déterminant pour la durée de vie du foret. En règle de base on peut dire : pour un diamètre plus grand du foret, le régime doit être réglé plus bas ; plus la solidité de la pièce à usiner est grande, plus grande doit aussi être la pression de l'usinage. Pour ne pas surchauffer le foret, il faudra en même temps diminuer la descente et la vitesse de rotation. De plus, le foret devra être refroidi avec de l'huile à foret. Pour des plaques fines, les forages plutôt grands devront être exécutés avec précaution avec une légère descente et une légère pression d'usinage, afin que le foret ne 'hachure' pas et que le forage reste à la mesure voulue. Pour des forages profonds (plus profonds que 2 x le diamètre du foret), l'évacuation des copeaux est plus difficile et le surchauffement du foret plus fort. Même là diminuer la descente et le nombre de tours et provoquer une meilleure évacuation des copeaux en remontant régulièrement le foret. Pour des forages à diamètre plus grand que 8 mm, il faudra faire un pré-forage, afin d'éviter ainsi une usure prématurée de l'arête tranchante du foret et que la pointe du foret ne soit pas surchargée.

## 5. ENTRETIEN



*Assurez-vous que la machine n'est pas sous tension si vous allez procéder à des travaux d'entretien dans son système mécanique.*



*Tout équipement électronique ou électrique défectueux dont vous vous seriez débarrassé doit être déposé aux points de recyclage appropriés.*

Les machines ont été conçues pour fonctionner longtemps sans problème avec un minimum d'entretien. En nettoyant régulièrement et correctement la machine, vous contribuerez à une longue durée de vie de votre machine.

#### Nettoyage

Nettoyez régulièrement le carter au moyen d'un chiffon doux, de préférence à l'issue de chaque utilisation. Veillez à ce que les fentes d'aération soient indemnes de poussière et de saletés. En présence de saleté tenace, employez un chiffon doux humecté d'eau savonneuse. Proscrivez l'emploi de solvants comme l'essence, l'alcool, l'ammoniaque etc. car ces substances attaquent les pièces en plastique.

#### Lubrification

Tous les paliers de la perceuse ont été lubrifiés en usine. La lubrification n'est donc pas nécessaire. De temps en temps, graissez les crémaillères et les pignons, le mécanisme de levage de la table, la broche et les cannelures de l'arbre creux. Ouvrez le carter de protection de la courroie d'entraînement et projetez un peu d'huile sur l'arbre de la broche. Veillez à ce que l'huile ne soit pas mise au contact de la courroie d'entraînement.

#### Dysfonctionnements

Veillez vous adresser au centre de service indiqué sur la carte de garantie en cas d'un dysfonctionnement, par exemple après l'usure d'une pièce.

Vous trouverez, à la fin de ce manuel, un schéma avec toutes les pièces que vous pouvez commander.

## ENVIRONNEMENT

Pour éviter les dommages liés au transport, la machine est livrée dans un emballage robuste. L'emballage est autant que possible constitué de matériau recyclable. Veuillez par conséquent destiner cet emballage au recyclage.

### Uniquement pour les pays CE

Ne jetez pas les outils électriques avec les déchets domestiques. Selon la directive européenne 2012/19/EU « Déchets d'équipements électriques et électroniques » et sa mise en œuvre dans le droit national, les outils électriques hors d'usage doivent être collectés séparément et mis au rebut de manière écologique.

## GARANTIE

Pour les conditions de garantie, lisez le certificat de garantie joint à part.

**Le produit et le manuel d'utilisation sont sujets à modifications. Les spécifications peuvent changer sans autre préavis.**

## TALADRADORA DE MESA TDM1026

### Gracias por comprar este producto Ferm.

Al hacerlo ha adquirido un excelente producto, suministrado por uno de los proveedores líderes en Europa. Todos los productos suministrados por Ferm se fabrican de conformidad con las normas más elevadas de rendimiento y seguridad. Como parte de nuestra filosofía también proporcionamos un excelente servicio de atención al cliente, respaldado por nuestra completa garantía. Esperamos que disfrute utilizando este producto durante muchos años.



*Lea atentamente estas instrucciones de uso antes de poner el aparato en funcionamiento. Póngase al corriente con la forma de funcionamiento y el manejo. Cuide la máquina de acuerdo con las instrucciones para que funcione siempre de forma correcta. Las instrucciones de uso y la correspondiente documentación deben guardarse en la proximidad de la máquina.*

## 1. INFORMACIÓN DE LA HERRAMIENTA

### Especificaciones técnicas

Tensión	230 V~
Frecuencia	50 Hz
Potencia nominal (S2)	350 W
Velocidad sin carga	500 - 2500/min
No. revoluciones	5
Cap. del mandril	13 mm
Peso	14 kg
L <sub>pa</sub> (Nivel de presión sonora)	71 dB(A) K=3
L <sub>wa</sub> (Nivel de potencia sonora)	84 dB(A) K=3
Vibración	<2.5 m/s <sup>2</sup>

### Nivel de vibración

El nivel de emisión de vibraciones indicado en este manual de instrucciones ha sido medido según una prueba estándar proporcionada en EN 61029; puede utilizarse para comparar una herramienta con otra y como valoración preliminar de la exposición a las vibraciones al utilizar la herramienta con las aplicaciones mencionadas.



- al utilizarla para distintas aplicaciones o con accesorios diferentes o con un mantenimiento deficiente, podría aumentar de forma notable el nivel de exposición.
- en las ocasiones en que se apaga la herramienta o cuando está funcionando pero no está realizando ningún trabajo, se podría reducir el nivel de exposición de forma importante.

Protéjase contra los efectos de la vibración realizando el mantenimiento de la herramienta y sus accesorios, manteniendo sus manos calientes y organizando sus patrones de trabajo.

### Descripción

Los números del texto se refieren a los diagramas de las páginas 2-4.

1. Interruptor de encendido/apagado
2. Tope de profundidad
3. Protector del portabroca
4. Motor
5. Mango de profundidad de perforación
6. Ajuste de la mesa
7. Interruptor de parada de emergencia
8. Tornillo de fijación
9. Portabroca
10. Soporte de la mesa
11. Columna
12. Pernos
13. Placa de base
14. Tapa superior correa en V
15. Tapa inferior correa en V
16. Cierre de la tapa
17. Placa de motor
18. Bloqueo de tensión de la correa
19. Mesa
20. Tornillo hexagonal
21. Husillo
22. Llave del portabroca

Asegúrese en primer lugar que la entrega no ha sufrido daños durante el transporte ni que falte ninguna pieza.

## 2. NORMAS DE SEGURIDAD

### Explicación de los símbolos

En el presente manual se utilizan los siguientes símbolos:



*Indica peligro de accidente, de muerte o riesgo de provocar averías en el aparato en caso de no seguir las instrucciones de este manual.*



*Indica el peligro de sufrir descargas eléctricas.*



*Desconecte inmediatamente la toma de corriente en caso de que se dañe el cable de potencia y durante el proceso de mantenimiento.*



*Mantenga a los presentes a una distancia prudencial de la zona de trabajo.*



*Lleve protectores para los ojos y los oídos.*

### Durante su uso deberán cumplirse los siguientes puntos:

- No elimine ningún elemento de protección eléctrica o mecánica.
- Controle que todas los elementos protectores están en su lugar y que se encuentran en perfecto estado.
- Durante el taladrado, lleve siempre gafas protectoras.
- Use ropa ajustada y lleve los puños de la camisa abrochados.
- Durante el taladrado no sostenga ningún tipo de herramienta. Utilice siempre cualquier tipo de mordaza o útil de fijación.
- Proteja la pieza o el útil de fijación sobre la mesa para que ésta no sea arrastrada, fijándola para ello con tornillos o atornillando el útil de fijación a la mesa.
- Controle que el portabrocas esté ajustado.
- Controle que los pasacables estén en correcto estado.
- Para retirar las virutas producidas por el taladrado utilice exclusivamente escobillas de mano, una brocha, un limpiador de goma, un

gancho para virutas o cualquier herramienta similar.

- No limpie ni engrase la máquina que se encuentre en funcionamiento.
- Mantenga siempre cubiertas las correas trapezoidales (para evitar cualquier contacto con las manos).
- Gire el piñón de la broca sólo con la llave de piñón.
- No deje la llave de piñón nunca en el portabroca. Mire antes de poner en marcha la máquina que haya quitado realmente la llave.
- Nunca utilice brocas que tengan la caña dañada.
- La taladradora no es apta para el fresado.
- Si el cable de la corriente está roto, cámbielo únicamente por otro cable de similares características.

#### Desconectar inmediatamente el aparato en case de:

- Fallo en el enchufe, en el cable o avería del cable.
- Interruptor averiado.
- Humo o mal humor de material aislante quemado.

#### Seguridad eléctrica

Tenga siempre presentes las normas de seguridad locales con respecto al peligro de incendio, peligro de sufrir descargas eléctricas y peligro de accidentes. Lea, además de las instrucciones que siguen a continuación, las normas de seguridad que aparecen en el cuadernillo anexo.



*Controle que la tensión de la red sea la misma que la que aparece indicada en la placa.*



*La máquina está provista de un interruptor de desconexión. En caso de que la corriente sea interrumpida por razones de seguridad, la máquina no empezará a funcionar automáticamente, es decir, la máquina deberá ser activada de nuevo.*

#### Recambio de cables y enchufes

Si la red eléctrica de cables resulta dañada, se debe sustituir con una red de cables especial que

se puede obtener del fabricante o del servicio de atención al cliente. Deshágase de los cables o clavijas antiguos inmediatamente después de sustituirlos por los nuevos. Es peligroso conectar a un enchufe la clavija de un cable suelto.

#### Uso de cables de extensión

Utilice siempre cables de extensión autorizados que sean aptos para la potencia del aparato. Los hilos deben tener un diámetro de 1,5 mm<sup>2</sup>. Cuando el cable de extensión esté en un carrete, desenrolle el cable completamente.

## 3. MONTAJE

#### Fig. B, F

- Coloque la base (13) en un lugar adecuado.
- Ajuste la columna (11) a la base mediante los tornillos (12) que se incluyen en la entrega.
- Introduzca el soporte de la mesa (10) y la mesa en la columna. Mediante la palanca de bloqueo (6) fije la mesa en la posición deseada.
- Ahora monte el cabezal (7) y fíjelo mediante los pernos de retención (8).
- Coloque el soporte protector del portabroca en el husillo (21) y apriete el tornillo ranurado.
- Limpie el agujero cónico del portabroca (9) y el husillo con un paño limpio. Compruebe que no haya partículas extrañas adheridas a las superficies.
- Empuje con fuerza el portabroca (9) hacia arriba en el husillo (21), hasta el tope.
- Coloque el protector transparente del portabroca (3) en el portabroca (9) y apriete los tornillos de fijación.
- Dado que el husillo del taladro viene engrasado de fábrica, se aconseja dejar funcionar la máquina durante aproximadamente 15 minutos a velocidad mínima antes de utilizarla.



*Antes de empujar el portabroca en el husillo del taladro, compruebe que el interior del portabroca y la parte exterior del husillo estén totalmente libres de grasa.*

#### Instalación de la taladradora de mesa

Monte la taladradora sobre suelo firme antes de ponerla en marcha. La base (13) está provista de agujeros de perforación destinados a ese fin.

Fije, por lo tanto, la base al suelo mediante tornillos. En caso de que la taladradora se monte sobre una plancha de madera, deberán utilizarse arandelas grandes en la parte opuesta para que así los pernos no sean presionados contra la madera ni la taladradora pueda soltarse.



*Apriete los tornillos lo máximo posible procurando evitar siempre que la base sufra una presión excesiva y se deforme. En caso de que hubiera una presión excesiva existe la posibilidad de que la base sufriera roturas.*

### Regulación de las revoluciones del husillo

#### Fig. C

Para modificar el número de revoluciones del husillo, cambie de posición la correa trapezoidal en el mecanismo de transmisión. En cualquier caso desconecte la taladradora y saque la clavija del enchufe. Para cambiar la posición de la correa trapezoidal haga lo siguiente:

- Antes de abrir la tapa de la transmisión(14) saque la clavija del enchufe.
- Desenrosque el tornillo de fijación (18) y mueva el motor hacia el cabezal, con lo cual se soltará la correa trapezoidal.
- Coloque la correa trapezoidal en la parte interior del cabezal.
- Tense la correa de nuevo presionando hacia atrás la tapa del motor (17). A continuación fije el tensor de correa con el tornillo de fijación (18).
- Cierre el cabezal y conecte la clavija en el enchufe. La máquina está a punto para su uso.



*Mantenga la tapa del cabezal cerrada siempre que la máquina esté en marcha.*

#### Fig. C & D

Una vez que haya colocado la correa, deberá volver a tensarla mediante la tapa del motor (17) y el tornillo de fijación (18). Se entenderá que la tensión de la correa es la correcta cuando sea posible apretar la correa aproximadamente 1 cm. El motor conectado a la polea deberá estar alineado correctamente en posición horizontal para prevenir de esta manera el desgaste prematuro o la rotura de la correa trapezoidal. A este efecto, una vez se haya desenroscado el tornillo con hexágono interior, se ajustará la polea del motor al eje del motor.

### Revolucion del husillo

#### Fig. E

Pos. correa trapezoidal	Revoluciones/min
1	500
2	890
3	1400
4	1900
5	2500

En el siguiente esquema se ilustran las diferentes combinaciones de la correa posibles, así como del número de revoluciones del husillo.

Compruebe la tensión de la correa trapezoidal antes de enchufar la máquina a la corriente.

## 4. MANEJO, RECOMENDACIONES

### Tope de profundidad

#### Fig. A-1

El husillo está provisto de un tope de profundidad, el cual puede ser regulado mediante una tuerca. En la escala graduada puede leerse la profundidad del taladrado.

### Fijación de la broca

#### Fig. F

En el portabrocas de la taladradora de mesa se pueden acoplar brocas u otras herramientas de caña cilíndrica. El par motor se transmite a través de la fuerza de torsión de las tres garras a la broca. Mediante la llave de piñón se deberá fijar la broca para así evitar que la broca baile. En tal caso se formaría una rebaba en la caña que impediría fijar la broca en el centro. Elimine las rebabas producidas de esta manera limándolas.

### Fijación de la pieza

#### Fig. G

Tanto la mesa como la base de la taladradora de mesa están provistas de pernos que sirven para fijar cualquier tipo de útil de fijación. Inmovilice la pieza con la mordaza o cualquier otro tipo de útil de fijación. De esta manera se evitarán accidentes además de aumentar la precisión del taladrado.

### Regulación de la mesa

La mesa está sujeta a la columna aunque es posible regular la altura si se afloja la palanca de bloqueo (6). Regule la mesa de tal manera que quede una distancia mínima entre la parte

superior de la pieza y la punta de la broca. También es posible girar la mesa hacia un lado cuando se quiera fijar la pieza directamente a la base.

#### **Fig. 1**

Cuando se desee taladrar piezas oblicuamente o taladrar una pieza con una base de apoyo inclinada se puede inclinar la mesa. Desafloje para ello el tornillo hexagonal (20) en el centro de giro de la mesa y quite el anillo central. Incline la mesa en la posición deseada apretando seguidamente de nuevo el tornillo hexagonal (20) con una llave fija.

#### **Número de revoluciones, velocidad de rotación, avance**

El avance, es decir, el movimiento de accionamiento del taladrado, se realiza manualmente mediante una palanca de tres brazos. La velocidad de rotación viene determinada por el número de revoluciones del husillo así como del diámetro de la broca. La correcta elección del avance y del número de revoluciones son factores decisivos para la vida útil de la taladradora. Por norma general, cuanto mayor es el diámetro de broca, menor será el número necesario de revoluciones, del mismo modo, cuanto más dura es la pieza, mayor será también la presión de corte necesaria. Para evitar que la broca se sobrecaliente, será necesario reducir simultáneamente la velocidad de rotación y el avance. Será necesario además enfriar la broca con lubricante de corte. Cuando se vaya a efectuar grandes agujeros en placas finas, se procurará reducir la distancia de avance y la presión de corte para que así el taladrado sea preciso y la broca no corte. En la realización de agujeros hondos (superiores a dos veces el diámetro de la broca) es más difícil la retirada de las virutas a la vez que aumenta el calentamiento de la broca. Reduzca por esa razón la distancia de avance así como el número de revoluciones procurando retirar con regularidad la broca para facilitar así la retirada de virutas. Para realizar agujeros de diámetro mayor a los 8 mm, se deberá taladrar el agujero previamente para prevenir así el desgaste prematuro de la broca - del cuerpo de la broca - y la sobrecarga de la punta de la broca.

## 5. MANTENIMIENTO



*Antes de cualquier trabajo de mantenimiento o limpieza saque siempre el enchufe de la caja de corriente (enchufe de pared). No utilice nunca agua u otros líquidos para limpiar las partes eléctricas de su pulidora.*

Los aparatos han sido diseñados para funcionar correctamente durante un largo periodo de tiempo necesitando un mantenimiento mínimo. Manteniendo limpio el aparato y usándolo correctamente, conseguirá alargar la vida útil de los aparatos.

#### **Limpieza**

Limpie regularmente el aparato con un paño, preferentemente después de cada uso. Asegúrese de que las rejillas de ventilación no posean partículas de polvo ni suciedad. Si hubiera suciedad incrustada, utilice un paño humedecido con agua y jabón. No utilice jamás materiales disolventes tales como gasolina, alcohol, amoníaco, etc. Dichos productos podrían dañar el plástico de diferentes piezas del aparato.

#### **Lubricación**

En la fábrica se han lubricado todos los cojinetes de la prensa taladradora. No es necesaria más lubricación. De vez en cuando deberá engrasar las cremalleras y los piñones, el mecanismo de elevación de la mesa, el husillo y las ranuras del eje hueco. Abra la protección de la correa de transmisión y eche un chorrito de aceite en el eje del husillo. ¡No deje que el aceite toque la correa de transmisión.

#### **Averías**

Si se presenta una avería, por ejemplo, por el desgaste de una pieza, póngase en contacto con el proveedor de servicios indicado en la tarjeta de garantía. En el dorso de este manual encontrará un amplio resumen de las partes de recambio que se pueden ordenar.

## USO ECOLÓGICO

Para prevenir los daños durante el transporte, el aparato ha sido embalado. Dicho embalaje está hecho, en la medida de lo posible, de material reciclable. Le rogamos, por lo tanto, que recicle dicho material.



*Cualquier aparato eléctrico o electrónico desechado y/o defectuoso tiene que depositarse en los lugares apropiados para ello.*

### Sólo para países CE

No deseche las herramientas eléctricas con los residuos domésticos. De conformidad con la Directiva Europea 2012/19/EU sobre residuos de aparatos eléctricos y electrónicos y su implementación en el derecho nacional, las herramientas eléctricas que dejen de funcionar deben recogerse por separado y desecharse de forma respetuosa con el medio ambiente.

## GARANTÍA

Lea atentamente las condiciones de garantía indicadas en la tarjeta de garantía que aparece en este manual de instrucciones.

**El producto y el manual de usuario están sujetos a cambios. Las especificaciones pueden modificarse sin previo aviso.**

## TRAPANO A COLONNA DA BANCO TDM1026

**Grazie per avere acquistato questo prodotto Ferm.** Ora possiedi un prodotto eccellente, offerto da uno dei principali fornitori europei. Tutti i prodotti Ferm sono realizzati nel rispetto dei più rigorosi standard prestazionali e di sicurezza. Quale parte della nostra filosofia offriamo inoltre un servizio di assistenza ai clienti eccellente, supportato da una garanzia completa. Ci auguriamo che possiate utilizzare con soddisfazione questo prodotto per molti anni.



*Leggere attentamente le istruzioni prima di utilizzare questo dispositivo. Acquisire familiarità con le sue funzioni e il funzionamento di base. Sottoporre il dispositivo a manutenzione secondo le istruzioni per assicurare che funzioni sempre correttamente. Le istruzioni per l'uso e la relativa documentazione devono essere conservati in prossimità del dispositivo.*

## 1. INFORMAZIONI RELATIVE ALLA MACCHINA

### Dati tecnici

Tensione	230 V~
Frequenza	50 Hz
Consumo di energia (S2)	350 W
Velocità a vuoto	500 - 2500/min
Numero di velocità	5
Mandrino	13 mm
Peso	14 kg
Lpa (Livello di pressione sonora)	71 dB(A) K=3
Lwa (Livello di potenza sonora)	84 dB(A) K=3
Vibrazioni	<2,5 m/s <sup>2</sup>

### Livello di emissione di vibrazioni

Il livello di emissione di vibrazioni indicato nel presente manuale d'istruzioni è stato misurato in base al test standardizzato previsto dalla normativa EN 61029; può essere utilizzato per confrontare vari apparecchi fra loro e come valutazione preliminare dell'esposizione alle vibrazioni quando si utilizza l'elettrotensile per le applicazioni menzionate.

- L'uso dell'elettrotensile per applicazioni o con accessori diversi o in condizioni di

scarsa manutenzione, potrebbe aumentare notevolmente il livello di esposizione a vibrazioni.

- I momenti in cui l'utensile è spento o quando è acceso ma non viene utilizzato potrebbero ridurre sensibilmente il livello di esposizione a vibrazioni.

Proteggersi contro gli effetti delle vibrazioni sottoponendo l'utensile e i relativi accessori a regolare manutenzione, evitare il raffreddamento delle mani, organizzare opportunamente i turni di lavoro.

### Descrizione

I numeri che compaiono nel testo si riferiscono agli schemi riportati alle pagine 2-4.

1. Interruttore di accensione/spengimento
2. Limitatore di profondità
3. Protezione del mandrino
4. Motore
5. Impugnatura di profondità del trapano
6. Regolazione del banco
7. Interruttore di arresto di emergenza
8. Vite di fissaggio
9. Mandrino
10. Supporto del banco
11. Colonna
12. Bulloni
13. Pedana
14. Coperchio della cinghia trapezoidale superiore
15. Coperchio della cinghia trapezoidale inferiore
16. Blocco del coperchio
17. Piastra del motore
18. Blocco della tensione della cinghia
19. Banco
20. Vite esagonale
21. Alberino
22. Chiave del mandrino

Prima verificare se la consegna è stata danneggiata dal trasporto e/o se tutti i componenti sono presenti.

## 2. ISTRUZIONI DI SICUREZZA

### Spiegazione dei simboli

I seguenti pittogrammi vengono utilizzati in queste istruzioni per l'uso:



*Denota il rischio di lesioni personali, morte o danni all'utensile in caso di mancata osservanza delle istruzioni contenute nel presente manuale.*



*Indica la presenza di una tensione elettrica.*



*Scollegare immediatamente la spina dalla rete elettrica nel caso in cui il cavo venga danneggiato e durante la manutenzione.*



*Tenere gli astanti a debita distanza.*



*Indossare occhiali e cuffie di protezione.*



### Durante l'uso è necessario considerare i seguenti punti:

- Non rimuovere i dispositivi di protezione meccanici o elettrici.
- Controllare che tutti i dispositivi di protezione siano al posto giusto e siano stati fissati in modo corretto.
- Indossare occhiali di sicurezza durante l'uso del trapano.
- Se avete i capelli lunghi, assicuratevi di indossare una protezione per i capelli (rete per capelli o cuffia). I capelli lunghi possono essere facilmente catturati nelle parti in movimento.
- Indossare indumenti aderenti; allacciare i bottoni sulle maniche.
- Non tenere pezzi da lavoro tra le mani durante l'uso del trapano. Usare sempre un morsetto per macchine o un altro attrezzo di serraggio.
- Proteggere i pezzi da lavoro e gli utensili di serraggio sul banco per impedire loro di rimanere impigliati.
- Fissarli da soli con viti o fissarli ad un morsetto per macchine fissato al banco.

- Controllare che il supporto del trapano sia serrato correttamente.
- Controllare che i passacavi siano a posto.
- Per rimuovere i trucioli di lavorazione utilizzare solo spazzole a mano, spazzole, tergicristalli in gomma, ganci per trucioli o supporti simili.
- Non eseguire qualsiasi operazione di pulizia o di lubrificazione mentre la macchina è in funzione.
- Tenere sempre le cinghie trapezoidali coperte (in modo che le mani non possano impigliarsi).
- Serrare il supporto per trapano ad anello dentato esclusivamente con la chiave.
- Non lasciare mai la chiave del supporto del trapano nel supporto stesso! Prima di accendere la macchina, verificare che la chiave sia stata davvero rimossa!
- Non utilizzare trapani danneggiati sul codolo.
- Il trapano non è adatto per l'utilizzo come pressa!
- Se il cavo di alimentazione è danneggiato, può essere sostituito esclusivamente da un cavo di alimentazione dello stesso tipo.

Spegnerne immediatamente l'elettrotensile nei seguenti casi:

- Interruzione di corrente dalla spina o dal cavo di alimentazione o cavo di alimentazione danneggiato.
- Interruttore difettoso.
- Fumo o odore di bruciato.

### Sicurezza elettrica

Quando si utilizzano apparecchi elettrici, osservare sempre le norme di sicurezza vigenti nel proprio paese per ridurre il rischio di incendi, scosse elettriche e lesioni personali. Leggere le istruzioni di sicurezza riportate di seguito oltre a quelle allegate al presente manuale.



*Controllare sempre che la tensione di alimentazione corrisponda alla tensione sulla targhetta.*



*La macchina è provvista di un interruttore a tensione zero. Una volta scesa la tensione la macchina non inizierà a funzionare automaticamente per motivi di sicurezza. La macchina deve essere riaccesa.*

### Sostituzione di cavi o spine

Buttare via immediatamente i cavi o le spine vecchi quando sono stati sostituiti da quelli nuovi. È pericoloso inserire la spina di un cavo allentato nella presa a muro.

### Utilizzo di cavi di prolunga

Utilizzare esclusivamente un cavo di prolunga omologato adatto per la potenza nominale della macchina. La dimensione minima del conduttore è 1,5 mm<sup>2</sup>. Quando si utilizza un avvolgicavo svolgere sempre completamente la bobina.

## 3. MONTAGGIO

### Fig. B, F

- Posizionare la piastra di base (13) nella posizione corretta.
- Fissare la colonna (11) con i bulloni in dotazione (12) alla piastra di base.
- Ora far scorrere il supporto del banco (10) con il banco sopra la colonna (11). Con la maniglia di fissaggio (6) il banco viene fissato nella posizione desiderata.
- Ora è possibile assemblare l'alloggiamento della macchina (7) e bloccare con i perni di bloccaggio (8).
- Montare il supporto della protezione del mandrino sull'alberino (21) e serrare la vite a intaglio.
- Pulire il foro conico nel mandrino (9) e l'alberino con un pezzo di tessuto pulito. Assicurarsi che non vi siano particelle estranee attaccate alle superfici.
- Spingere energicamente il mandrino (9) verso l'alto sull'alberino (21), fino al fondo.
- Montare la protezione trasparente del mandrino (3) sul supporto della protezione del mandrino (9) e serrare le viti di fissaggio.
- Poiché l'alberino del trapano viene lubrificato in fabbrica, è consigliabile farlo funzionare nella macchina per circa 15 minuti alla velocità più bassa prima dell'uso.



*Prima di spingere il mandrino sull'alberino del trapano, l'interno del mandrino e l'esterno dell'alberino devono essere completamente privi di lubrificante!*

### Configurazione del trapano da banco

Prima dell'uso il trapano deve essere montato su una base fissa. La piastra di base (13) è stata quindi provvista di fori di perforazione. Mediante viti la piastra di base può essere fissata alla base in questa posizione. Se è montata su un banco di legno, devono essere utilizzate rondelle sufficientemente sul lato opposto, in modo che i bulloni non vengano spinti in legno e la macchina non possa allentarsi



*Le viti di fissaggio possono essere fissate fin tanto che la piastra di base non sia in tensione o deformata. Quando la tensione è troppo alta vi è il rischio di rottura.*

### Regolazione del numero di giri dell'albero del mandrino

#### Fig. C

I diversi giri dell'albero del mandrino possono essere regolati spostando la cinghia trapezoidale nella trasmissione della cinghia. La macchina è protetta da un interruttore di sicurezza in modo che la macchina si spenga automaticamente quando si apre l'alloggiamento. La cinghia trapezoidale viene spostata come segue:

- Aprire il coperchio della cinghia trapezoidale (14) per allentare la vite sul lato destro del coperchio.
- Allentare il pulsante di fissaggio (18) e far scorrere il motore in direzione della testa della macchina, sulla quale viene rilasciata la cinghia trapezoidale.
- Spostare la cinghia trapezoidale a seconda del banco sul lato interno del coperchio della cinghia trapezoidale.
- Mettere nuovamente in tensione la cinghia trapezoidale spingendo la targhetta del motore (17) sul retro. Quindi il dispositivo di tensionamento viene fissato con il pulsante di fissaggio (18).
- Chiudere il coperchio della cinghia trapezoidale e la macchina è di nuovo pronta all'uso.



*Mantenere il coperchio della cinghia trapezoidale chiuso durante l'uso.*

#### Fig. C & D

Se si è spostata la cinghia trapezoidale, occorre serrarla nuovamente tramite la piastra del motore (17) con il pulsante di fissaggio (18). La tensione è

corretta quando la cinghia trapezoidale può essere premuta in dentro di circa 1 cm. La puleggia del motore deve essere allineata orizzontalmente, in modo da impedire l'usura precoce e l'allentamento della cinghia trapezoidale. A tale scopo la puleggia del motore (15) sul motore può essere fatta scorrere lungo l'asse del motore, dopo aver allentato la vite a brugola.

### Velocità del mandrino

#### Fig. E

Posizione cinghia trapezoidale	Giri/min
1	500
2	890
3	1400
4	1900
5	2500

Il numero di giri dell'albero del mandrino delle combinazioni della cinghia trapezoidale possono essere letti dalla figura e dalla tabella.

Testare la tensione della cinghia trapezoidale prima di collegare la macchina alla rete elettrica.

## 4. FUNZIONAMENTO, SUGGERIMENTI E CONSIGLI

### Fermo di profondità

#### Fig. A-1

L'albero del trapano è provvisto di un arresto di profondità (2). Si può regolare con il dado. La profondità del trapano può essere letta sulla divisione della scala.

### Bloccaggio del trapano

#### Fig. F

Nella testa di perforazione del trapano da banco, i trapani e gli altri utensili con un codolo cilindrico possono essere bloccati. Il momento di rotazione viene trasferito al trapano mediante la tensione delle tre ganasce. Per evitare che il trapano scivoli via, deve essere serrato con la chiave ad anello dentata. Se il trapano scivola via nel supporto del trapano, si verifica una leggera sbavatura sul codolo trapano, il che rende impossibile il serraggio centrico. Una sbavatura che si verifica in questo modo deve comunque essere rimossa mediante smerigliatura.



## Bloccaggio del pezzo

### Fig. G

Il banco del trapano e la piastra di base del trapano da banco sono dotati di scanalature per il fissaggio degli utensili di serraggio. Fissare sempre il pezzo nella morsa della macchina o altri utensili di serraggio. In questo modo si eviteranno incidenti e si aumenterà anche la precisione di perforazione siccome il pezzo si trova in una posizione fissa.

## Regolazione del banco

Il banco del trapano è fissato alla colonna del trapano e può essere regolato in altezza dopo aver allentato la maniglia di fissaggio (6). Regolare il banco in modo tale che vi sia ancora abbastanza spazio tra la parte superiore del pezzo e la punta del trapano. È inoltre possibile ruotare il banco di lato, se si desidera bloccare un pezzo direttamente sulla piastra di base.

### Fig. I

Per la trapanatura inclinata e con una superficie di appoggio inclinata del pezzo è possibile ruotare il banco. A questo scopo allentare la vite esagonale (20) sul punto della cerniera del banco e rimuovere il centraggio. Ruotare il banco (19) nella posizione desiderata. Quindi avvitarlo correttamente la vite esagonale (20) utilizzando una chiave.

## Numero di giri, velocità di rotazione, alimentazione

L'alimentazione - il movimento di avanzamento del trapano - avviene a mano sulla leva del trapano a 3 braccia. La velocità di rotazione è determinata dal numero di giri dell'albero del mandrino e dal diametro del trapano. La scelta corretta di alimentazione e il numero di giri dell'albero del mandrino sono fattori decisivi per la durata del trapano. Quanto segue si applica come regola di base: con un diametro maggiore del trapano il numero di giri deve essere regolato a un livello inferiore; maggiore è la durezza del pezzo, maggiore deve anche essere la pressione di taglio. Per non surriscaldare il trapano in questo caso, l'alimentazione e la velocità di rotazione devono essere ridotte allo stesso tempo. Inoltre, il trapano deve essere raffreddato con olio da trapano. Per piastre sottili, è necessario eseguire attentamente fori piuttosto grandi con poca

alimentazione e poca pressione di taglio, in modo da ottenere un risultato preciso e in modo che la perforazione rimanga della dimensione corretta. Per una foratura profonda (maggiore di 2x il diametro del trapano) lo scarico dei trucioli risulta più difficile e la temperatura del trapano è superiore. Pertanto abbassare l'alimentazione e il numero di giri e garantire un migliore scarico dei trucioli tirando regolarmente indietro il trapano. Per una foratura di diametro superiore a 8 mm, deve avvenire una pre-foratura, per evitare l'usura prematura del trapano - tagliente principale e per non sovraccaricare il punto di perforazione.

## 5. MANUTENZIONE



*Assicurarsi che la macchina non sia sotto tensione durante i lavori di manutenzione sul motore.*

Questa macchina è stata progettata per funzionare per un lungo periodo di tempo con una manutenzione minima. Il funzionamento continuo della macchina dipenda da una cura coretta della macchina e da una regolare pulizia.

### Pulizia

Mantenere le aperture di ventilazione della macchina pulite per evitare il surriscaldamento del motore. Pulire regolarmente il corpo macchina con un panno morbido, preferibilmente dopo ogni uso. Mantenere le prese d'aria libere da polvere e sporcizia. Se lo sporco non viene via utilizzare un panno morbido inumidito con acqua e sapone. Non utilizzare solventi come benzina, alcol, ammoniaca, ecc Questi solventi possono danneggiare i componenti in plastica. Si prega di pulire l'utensile immediatamente dopo l'uso.

### Lubrificazione

Ogni cuscinetto nel trapano è stato prelubrificato in fabbrica. Una ulteriore lubrificazione non è necessaria. Di tanto in tanto, si dovrebbero lubrificare le cremagliere e pignoni, il meccanismo di sollevamento del banco, il mandrino e le scanalature dell'albero cavo. Aprire la protezione della cinghia di trasmissione e schizzare un po' di olio sull'albero del mandrino. Non consentire all'olio di toccare la cinghia di trasmissione!

## Guasti

In caso di guasti, ad esempio a seguito dell'usura di un componente, contattare il servizio di assistenza al recapito indicato sul foglio della garanzia. Sul retro di questo manuale viene fornito un esploso dei componenti che possono essere ordinati.

## RISPETTO AMBIENTALE

Per evitare danni durante il trasporto, l'apparecchio è consegnato in un imballaggio robusto che consiste in gran parte di materiale riutilizzabile. Pertanto si prega di utilizzare le opzioni per il riciclaggio dell'imballaggio.



*I dispositivi elettrici o elettronici danneggiati e/o smaltiti devono essere depositati presso stazioni di riciclaggio previste per tale scopo.*

### Solo per i Paesi CE

Non smaltire gli elettrodomestici insieme ai rifiuti domestici. Secondo la Direttiva europea 2012/19/UE sui rifiuti delle apparecchiature elettriche ed elettroniche e relativa implementazione nelle normative locali, gli elettrodomestici ormai inutilizzabili devono essere raccolti separatamente e smaltiti in modo ecologico.

## GARANZIA

Leggere le condizioni di garanzia sulla scheda di garanzia fornita separatamente.

**Il prodotto e il manuale per l'utente sono soggetti a modifiche. I dati tecnici possono essere modificati senza ulteriore notifica.**

## ASZTALI OSZLOPOS FÚRÓGÉP TDM1026

### Köszönjük, hogy ezt a Ferm terméket választotta!

Választásával kitűnő géphez jutott, amelyet Európa egyik vezető szállítója forgalmaz. A Ferm által szállított gépek a legszigorúbb biztonsági és teljesítmény követelményeknek is megfelelnek. Cégfilozófiánk részeként kitűnő ügyfélszolgálatot nyújtunk, mindenre kiterjedő jótállással. Bizunk benne, hogy sokáig fogja élvezni ezt a terméket.



*A készülék használata előtt alaposan tanulmányozza át a kezelési útmutatót. Ismerkedjen meg a készülék funkcióival és kezelésének alapjaival. A készüléket a megadott útmutatások szerint szervizelje, hogy biztosítsa megfelelő működését. A kezelési útmutatót és a kísérő dokumentációt tartsa mindig a gép közelében.*

## 1. A GÉP ISMERTETÉSE

### Műszaki adatok

Feszültség	230 V~
Frekvencia	50 Hz
Teljesítményfelvétel (S2)	350 W
Üresjáratú fordulatszám	500 - 2500/perc
Sebességfokozatok száma	5
Tokmány befogadó mérete	13 mm
Súly	14 kg
Lpa (hangnyomásszint):	71 dB (A) K=3
Lwa (zajszint)	84 dB (A) K=3
Vibráció	< 2,5 m/s <sup>2</sup>

### Vibrációs szint

A kezelési kézikönyvben megadott vibráció kibocsátási szintet az EN 61029 szabványban előírt egységesített tesztvizsgálattal mértük. Így az egyes szerszámoknál mért vibráció kibocsátási értékek egymással összehasonlíthatók, és felhasználhatók a vibrációnak való kitettség mértékének előzetes becsléséhez, amikor a szerszámot az itt említett munkafeladatokhoz használják.

- ha más munkafeladatokra vagy gyengén karbantartott tartozékokkal használják, a vibrációnak való kitettség mértéke jelentősen nagyobb is lehet
- ha beleszámítjuk azokat az időtartamokat is, amikor a szerszám ki van kapcsolva, vagy be van kapcsolva, de nem végeznek vele munkát, a vibrációnak való kitettség mértéke jelentősen kisebb lehet

A szerszám és tartozékainak karbantartásával, kezének melegen tartásával és munkaritmusának megszervezésével védekezzen a vibráció káros hatása ellen

### Leírás

A szövegbeli számok a 2-4 oldal képeire utalnak.

1. Üzemi kapcsoló
2. Mélységhatároló
3. Tokmányvédő
4. Motor
5. Fúró mélységállítója
6. Asztal beállítója
7. Vészleállító
8. Rögzítőcsavar
9. Tokmány
10. Asztalrögzítő
11. Oszlop
12. Csavarok
13. Talplemez
14. Hajtósíj felső borítója
15. Hajtósíj alsó borítója
16. Borító rögzítője
17. Motorvédő lemez
18. Hajtósíj-feszítő rögzítője
19. Asztal
20. Hatszögű csavar
21. Tengely
22. Tokmánykulcs

Eőször ellenőrizze, hogy a gép nem sérült-e meg szállítás közben, illetve hogy minden alkatrész és tartozék hiánytalanul benne van-e a csomagban.

## 2. BIZTONSÁGI ÚTMUTATÓ

### A szimbólumok jelentése

Jelen kezelési útmutatóban a következő szimbólumokkal fog találkozni:



*Arra figyelmeztet, hogy a jelen kézikönyvben lefektetett biztonsági előírások be nem tartása személyi sérüléshez, halálos balesethez vagy a szerszám károsodásához vezethet.*



*Feszültség jelenlétét jelzi.*



*Karbantartás előtt, illetve a tápkábel sérülése esetén azonnal húzza ki a gép dugaszát a konnektorból.*



*Tartsa távol a szemlélődőket.*



*Viseljen védőszemüveget és hallásvédőt.*

### A gép használata közben be kell tartani az alábbiakat:

- Semmilyen elektromos vagy mechanikus védőelemet ne távolítson el a gépről.
- Ellenőrizze, hogy minden védőelem megfelelően a helyére van-e szerelve.
- Fúrás közben viseljen biztonsági védőszemüveget.
- Ha hosszú hajviseletet hord, gondoskodjon hajvédőről (hajháló vagy sapka). A hosszú haj könnyen beakadhat a mozgó alkatrészekbe.
- Testhez simuló ruházatot viseljen. gombolja be a kézelőgombját.
- Fúrás közben ne a kezével tartsa a munkadarabot. Mindig használjon géprögzítőt vagy más leszorító eszközt.
- munkadarabokat és a leszorító eszközöket úgy helyezze el az asztalon, hogy a fúró ne akadhasson beléjük. Rögzítse őket csavarokkal, vagy rögzítse az asztalhoz erősített géprögzítőhöz.
- Ellenőrizze, helyesen van-e rögzítve a fúrószerszámtartó.
- Ellenőrizze, rendben vannak-e a kábelkivezetések.

- A fúróforgács eltávolításához csak kézi seprőt, kefét, gumitörőt, forgácskampót vagy hasonló segédeszközt használjon.
- Addig ne végezzen tisztítást vagy zsírzást, amíg a gép működésben van.
- Mindig tartsa az ékszíjakat lefedve (hogy ne kaphassák be a kezét).
- Csak a fogaskerék-koszorús fúrószerszámtartót húzza meg csavarokkal.
- A fúrószerszámtartó kulcsát soha ne hagyja a fúrószerszámtartóban! A gép bekapcsolása előtt ellenőrizze, hogy valóban eltávolította-e a kulcsot!
- Ne használjon olyan fúrófejet, amelynek sérült a szára.
- A fúró nem használható nyomószerszámként!
- Ha a tápkábel sérült, csak ugyanolyan típusúra szabad cserélni.

#### Azonnal kapcsolja ki a gépet, ha:

- Szakadás van a dugaszban, a tápkábelben vagy sérült a tápkábel.
- Hibás a kapcsoló.
- Füstöt észlel, vagy a vezeték szigetelésének égésétől származó bűzt érez.

#### Elektromos biztonság

Elektromos gépek használata során mindig tartsa be az országában érvényes biztonsági előírásokat, hogy csökkentse a tűz, áramütés és személyi sérülés veszélyét. Olvassa el a következő biztonsági útmutatásokat és a géphez tartozó biztonsági útmutatásokat is.



*Mindig ellenőrizze, hogy a hálózat feszültsége megfelel-e a gép adattábláján feltüntetett feszültségnek.*



*A gép nullfeszültség kioldóval is fel van szerelve. Ha a feszültség lecsökken, biztonsági okból a gép nem indul automatikusan. Újból be kell kapcsolni.*

#### Kábel vagy dugasz cseréje

Azonnal dobja ki a régi kábeleket és csatlakozókat, miután azokat kicserélte újakra. Lötyögő kábel dugaszát veszélyes a konnektorra dugaszolni.

#### Hosszabbító kábel használata

Csak jóváhagyott, a gép teljesítményfelvételének megfelelő hosszabbító kábelt használjon. A kábel minimális keresztmetszete: 1,5 mm<sup>2</sup>. Ha kábeldobot használ, a vezetékét mindig teljes hosszában csévélje le a dobról.

### 3. ÖSSZESZERELÉS

#### B és F ábra

- Tegye a talplemezt (13) a megfelelő helyzetbe.
- Rögzítse az oszlopot (11) a mellékelt csavarokkal (12) a talplemezhez.
- Ezután csúsztassa az asztaltartót (10) az asztallal együtt át az oszlopon (11). A rögzítőfogantyúval (6) az asztal kívánt helyzetben rögzíthető.
- Ezt követően felszerelheti a gép burkolatát (7), és a zárópecekkel (8) rögzítheti.
- Illessze a tokmányvédő tartóját a tengelyre (21), és húzza meg a hasított fejű csavart.
- Tisztítsa meg a tokmányon (9) és a tengelyen a kúpos nyílást egy tiszta szövetdarabbal. Ellenőrizze, nem tapadtak-e idegen anyag darabkái a felületekhez.
- Nyomja rá erősen a tokmányt (9) a tengelyre (21) ütközésig.
- Illessze a tiszta tokmányvédőt (3) a tokmány (9) tartójához, és húzza meg a rögzítőcsavarokat.
- Mivel a fúró hajtótengelyét a gyárban bezsírozták, használat előtt járassa a gépet a legkisebb fordulatszámon kb. 15 percig.



*Mielőtt a tokmány rányomja a fúró hajtótengelyére, a tokmány belső részének és a hajtótengely külső részének zsírtól teljesen mentesnek kell lennie!*

#### Az asztali fúrógép üzembe helyezése

Használat előtt rögzített alapra kell szerelni a fúrógépet. A talplemezbe (13) ezért furatokat készítettünk. Így a talplemez csavarokkal az alaphoz erősíthető. Ha fa alapra szereli, az ellenkező oldalra elegendő nagyságú alátétet tegyen, hogy a csavarok ne nyomódjanak bele a fába, és a gép ne lazulhasson ki.



A rögzítőcsavarokat csak annyira húzza meg, hogy a talplemez ne feszüljön és ne deformálódjon. Ha nagyon feszül, el is törhet.

### A fúrógép tengely fordulatszámának állítása C ábra

A fúrógép tengelyének fordulatszámát az ékszíj áthelyezésével állíthatja.

Van a gépen egy biztonsági kapcsoló, amely a gépet automatikusan lekapcsolja, amikor a burkolatot kinyitják. Az ékszíj áthelyezése a következő módon történik:

- Nyissa ki az ékszíjfedelet (14) a fedél jobb oldalán elhelyezkedő csavar meglazításával.
- Lazítsa meg a rögzítőgombot (18), majd csúsztassa a motort a gépfej felé, aminek hatására szabaddá válik az ékszíj.
- Állítsa át az ékszíjat az ékszíjfedelen lévő táblázat adatainak megfelelően.
- A motoralplemez (17) hátrátolásával húzza feszesre az ékszíjat. Ekkor a feszítőeszköz a rögzítőgombbal (18) rögzítve van.
- Zárja vissza az ékszíjfedelet, és a gép újbóli használatra kész.



Használat közben tartsa lezárva az ékszíjfedelet.

### C és D ábra

Ha átállította az ékszíjat, feszesre kell azt húznia a motor alaplemezával (17) és a rögzítőgombbal (18). Az ékszíj feszessége akkor megfelelő, ha az ékszíj kb. 1 cm-re benyomható. A motor ékszíjtárcsájának vízszintesen kell állnia, hogy az ékszíj ne kopjon el és ne lazuljon meg idő előtt. Ezért a motor ékszíjtárcsája (15) a motortengely mentén a hatlapfejű csavar meglazítása után csúsztatható.

### A tengely többféle fordulatszáma

#### E ábra

Ékszíj helyzete	Percenkénti fordulatszám
1	500
2	890
3	1400
4	1900
5	2500

Az ékszíj különböző helyzetének megfelelő fordulatszámok az ábrán és a táblázatban olvashatók.

A gép elektromos hálózatra csatlakoztatása előtt ellenőrizze az ékszíj feszességét.

## 4. A GÉP KEZELÉSE

### Mélységütköző

#### A-1 ábra

A fúró tengelye mélységütközővel (2) van ellátva. Az anyacsavarral ez állítható. A fúrési mélység a skálán leolvasható.

### A fúrószar befogása

#### F ábra

Az asztali fúrógép fúrófejébe fúrószarát, vagy egyéb hengeres száru szerszámot foghat be. A forgatónyomatékokat a három szorítópofoa viszi át a fúrószárra.

A fúrószarát a fogazott gyűrűs kulccsal elmozdulás ellen rögzíteni kell. Ha a fúrószar a tokmányban elcsúszik, sorja képződik a fúró szárán, ami lehetetlenné teszi a központos rögzítést. Az így képződött sorját csiszolással el kell távolítani.

### A munkadarab leszorítása

#### G ábra

A fúróasztalon és az asztali fúró talplemezén a lezorító eszközök rögzítésére szolgáló vágatok vannak. Mindig szorítsa be a munkadarabot a géprögzítőbe vagy más lezorító eszközökbe. Így módon megelőzi a baleseteket, sőt nagyobb pontosságú lesz a fúrás, mivel a munkadarab rögzített helyzetben van.

### Az asztal állítása

A fúróasztal a fúróoszlophoz van rögzítve, és a magassága a rögzítőfogantyú (6) meglazítása után állítható. A fogantyút úgy állítsa, hogy maradjon elég hely a munkadarab felső része és a fúró helye között. Oldalirányban is forgathatja az asztalt, ha a munkadarabot közvetlenül a talplemezre szeretné rögzíteni.

### I ábra

Ha ferde fúrásra van szükség ferde támasztófelületen, az asztal forgatható. Ehhez

lazítsa ki a hatszögfejű csavart (20) az asztal csuklóillesztésénél, és távolítsa el a központozást. Forgassa az asztalt (19) a kívánt helyzetbe. Ezután húzza meg kulccsal a hatszögfejű csavart (20).

### Fordulatszám, forgácsolási sebesség, előtolás

Az előtolást, a fűrő előtoló mozgatását a 3 ágú fűrőkar segítségével kézzel kell végezni. A forgácsolási sebesség a fűrő tengelyének fordulatszámától és a fűrőszár átmérőjétől függ. Az előtolás és a fűrőgép tengely fordulatszámának helyes megválasztása döntő befolyással van a fűrőgép élettartamára. Az alapszabály a következő: nagyobb átmérőjű fűrőszár használatánál kisebbre kell állítani a fordulatszámot; minél nagyobb a munkadarab szilárdsága, annál nagyobb nyomóerőt kell alkalmazni.

A fűrő túlmelegedésének megelőzése végett csökkenteni kell az előtolást és a forgácsolási sebességet. Ezenkívül a fűrőt olajjal hűteni kell. Ha vékony lemezbe nagy átmérőjű furatot készítünk, kis előtolást és kis nyomóerőt kell alkalmazni, hogy az eredmény pontos legyen, és a furat mérete megfelelő maradjon.

Mély (a fűrő átmérőjének kétszeresét meghaladó) furatok készítésénél nehezebb a forgácsoló eltávolítani, és a fűrő jobban felmelegszik. Ezért csökkentse az előtolást és a fordulatszámot, valamint a forgács jobb eltávolítása végett rendszeres időközönként húzza vissza a fűrőt. 8 mm-nél nagyobb átmérőjű furat készítésénél előfúrást kell végezni, hogy elkerüljük a fűrőszár fő vágóélének idő előtti kopását, és ne terheljük túlságosan a fűrési pontot.

## 5. A GÉP KARBANTARTÁSA



*A motor karbantartása előtt gondoskodjon arról, hogy a gép ne legyen áram alatt.*

A gépet úgy terveztük, hogy minimális karbantartással lehessen hosszabb ideig használni. A gép folyamatos és kielégítő működése függ a megfelelő gondozástól és a rendszeres tisztítástól is.

### A gép tisztítása

Tartsa tisztán a gép szellőzőnyílásait, hogy megelőzze a gép túlmelegedését. Rendszeresen, lehetőleg minden egyes használat után puha ronggyal törölje át a gép burkolatát. Tartsa a szellőzőnyílásokat portól és szennyeződéstől mentesen. Ha a szennyeződés nem jön le puha ronggyal, szappanos vízben megnedvesített puha ronggyal távolítsa el. Soha ne tisztítsa oldószerekkel (például benzin, alkohol, ammónia oldat stb.). Ezek az árthatnak a műanyag részeknek.

Kérjük, hogy használat után azonnal tisztítsa meg a gépet.

### Kenés

A fűrőgép minden csapágycsúcsát gyárilag megkentük. További kenés nem szükséges. Időnként viszont meg kell zsírozni a tartókereteket és a hajtókereteket, az asztalemelő szerkezetet, a tengelyt és a csőtengely hornyait. Nyissa fel az ékszíjfedeleket, és fecskendezzen egy kevés olajat a tengelyszárra. Vigyázzon arra, hogy az ékszíjat ne érje olaj!

### Hibák

Meghibásodás esetén (pl. ha elkopik egy alkatrész), lépjen kapcsolatba a szervizzel, amelynek címét a garanciakártyán találja. Kézikönyvünk végén találja a megrendelhető alkatrészek robbantott ábráit.

## KÖRNYEZETVÉDELME

A szállítás közbeni sérülések megelőzése céljából a gépet alaposan becsomagoltuk. Ehhez jórészt újrahasznosítható anyagokat használtunk fel. Ezért kérjük, tegye lehetővé a csomagolóanyagok újrahasznosítását.



*A sérült és/vagy kiselejtezett elektromos vagy elektronikus készülékeket el kell juttatni egy erre a célra kijelölt hulladékhasznosító telepre.*

### Csak az Európai Közösség országaiban

Az elektromos eszközöket ne dobja a háztartási hulladékok közé. Az 2012/19/EU Európai Irányelv - Elektromos és elektronikus berendezések hulladékai - és ennek nemzeti szabályozása alapján, azokat az elektromos eszközöket,

melyek többé már nem használhatóak, külön kell összegyűjteni, és környezetbarát módon kell megszabadulni tőlük.

## GARANCIA

A garanciális feltételek megtalálhatók a külön mellékelt garanciakártyán.

**A termékben és a felhasznált kiegészítőben a későbbiekben előfordulhatnak módosítások. A műszaki adatok előzetes értesítés nélkül is módosíthatók.**

## STOLOVÁ SLOUPOVÁ VRTAČKA TDM1026

**Děkujeme vám za zakoupení tohoto produktu společnosti Ferm.** Získali jste výborný produkt od předního evropského distributora. Všechny produkty dodávané společností Ferm se vyrábějí podle nejpřísnějších výkonnostních a bezpečnostních norem. Součástí naší obchodní filozofie je poskytování kvalitního zákaznického servisu na základě komplexní záruky. Věříme, že vám tento produkt bude k plné spokojenosti sloužit řadu let.



*Pro vaší vlastní bezpečnost a pro bezpečnost ostatních vám doporučujeme, aby jste si před použitím pily pozorně přečetli tento návod k použití. Tento návod k použití a dokumentaci k pile si odložte pro pozdější použití.*

## 1. INFORMACE O NÁRADÍ

### Specifikace

Napájecí napětí	230 V~
Frekvence	50 Hz
Příkon (S2)	350 W
Otáčky bez zátížení	500 - 2500/min
Počet převodových stupňů	5
Kapacita sklíčidla	13 mm
Hmotnost	14 kg
Lpa (akustický tlak)	71 dB(A) K=3
Lwa (Akustický výkon)	84 dB(A) K=3
Vibrace	<2,5 m/s <sup>2</sup>

### Úroveň vibrací

Úroveň vibrací uvedená na zadní straně tohoto manuálu s pokyny byla měřena v souladu se standardizovaným testem podle EN 60745; je možné ji použít ke srovnání jednoho přístroje s druhým a jako předběžné posouzení vystavování se vibracím při používání přístroje k uvedeným aplikacím.

- používání přístroje k jiným aplikacím nebo s jiným či špatně udržovaným příslušenstvím může zásadně zvýšit úroveň vystavení se vibracím.
- doba, kdy je přístroj vypnutý nebo kdy běží, ale ve skutečnosti není využíván, může zásadně snížit úroveň vystavení se vibracím.

Chraňte se před následky vibrací tak, že budete dbát na údržbu přístroje a příslušenství, budete si udržovat teplé ruce a uspořádáte si své pracovní postupy.

### Popis

Čísla v textu se odvolávají na diagramy na strani 2-4.

1. Spínač zapnuto/vypnuto
2. Hloubkový doraz
3. Kryt sklíčidla
4. Motor
5. Rukojeť hloubky vrtání
6. Tabulka nastavení
7. Nouzový vypínač
8. Upínací šroub
9. Sklíčidlo
10. Držák stolu
11. Sloupek
12. Šrouby
13. Základna
14. Horní kryt klínového řemenu
15. Spodní kryt klínového řemenu
16. Zámek krytu
17. Deska motoru
18. Pojistka napnutí řemenu
19. Stůl
20. Šestihranný šroub
21. Vřeten
22. Klička sklíčidla

Zkontrolujte, jestli při přepravě nedošlo k poškození přístroje, přiložených součástí nebo příslušenství.

## 2. BEZPEČNOSTNÍ POKYNY

### Vysvětlení symbolů

Návod k obsluze frézky obsahuje následující symboly:



*Označuje riziko osobního zranění, ztráty života nebo poškození nástroje v případě nedodržení pokynů v tomto návodu.*



*Označuje nebezpečí elektrického šoku.*



*Ihned odpojte zástrčku napájecího kabelu od síťové zásuvky, dojde-li k jeho poškození nebo provádíte-li čištění a údržbu.*



*Udržujte okolo stojící osoby v dostatečné vzdálenosti*



*Používejte ochranu zraku a sluchu.*

### Během použití musí být dodržovány následující pokyny:

- Neodstraňujte žádná mechanická nebo elektrická ochranná zařízení.
- Zkontrolujte, zda jsou všechna ochranná zařízení na svých místech a zda jsou správně upevněna.
- Používejte během vrtání ochranné brýle.
- Máte-li dlouhé vlasy, používejte vhodnou pokrývku hlavy (síťka na vlasy nebo čepice). Dlouhé vlasy mohou být snadno zachyceny pohyblivými se díly.
- Noste zapnutý oděv, zapněte si knoflíky na rukávech.
- Při vrtání nikdy nedržte žádný obrobek rukama. Vždy použijte upínací svorku nebo jiný upínací přípravek.
- Dávejte pozor na obrobky a upínací přípravky na stole, abyste zabránili jejich zachycení. Upevněte je pomocí šroubů nebo je upněte upínací svorkou, která je upevněna ke stolu.
- Zkontrolujte, zda je řádně utažen držák vrtáku.
- Zkontrolujte, zda jsou v pořádku průchodky pro kabel.
- Při odstraňování pilin používejte pouze ruční kartáče, gumové stěrky, háčky na špony nebo jiné podobné pomůcky.
- Neprovádějte žádné čištění nebo mazání, je-li tento stroj v chodu.
- Dbejte na to, aby byly klínové řemeny vždy zakryty (aby nemohlo dojít k zachycení vašich rukou).
- Utahujte ozubený kroužek držáku vrtáku pouze pomocí klíče.
- Nikdy nenechávejte klíč sklíčidla ve sklíčidle! Před zapnutím stroje zkontrolujte, zda opravdu došlo k odstranění tohoto klíče!
- Nepoužívejte žádné vrtáky, které mají poškozenou upínací stopku.
- Vrtačka není vhodná pro to, aby byla používána jako lis!
- Je-li poškozen napájecí kabel, může být nahrazen pouze napájecím kabelem stejného typu.



### V následujících případech stroj okamžitě vypněte:

- Dojde-li k přerušení napájení nebo k poškození napájecího kabelu.
- Dojde-li k poškození spínače.
- Objeví-li se kouř nebo zápach spálené izolace.

### Bezpečnost při práci s elektřinou

Při používání elektrických přístrojů je vždy třeba dodržovat bezpečnostní předpisy platné ve vašem státě. Snižte se tím nebezpečí požáru, zasažení elektrickým proudem a zranění osob. Pročtěte zde uvedené bezpečnostní pokyny a seznamte se i s bezpečnostními pokyny přiloženými k nástroji. Uložte tyto pokyny na bezpečném místě.



*Vždy kontrolujte, jestli napájení odpovídá napětí na typovém štítku.*



*Tento stroj je vybaven spínačem nulového napětí. Při poklesu napětí nedojde z bezpečnostních důvodů k automatickému opětovnému spuštění. Stroj musí být opět znovu zapnutý.*

### Výměna kabelů a zástrček

Staré kabely nebo zástrčky po výměně za nové okamžitě vyhoďte. Je nebezpečné používat zástrčky s uvolněnými kabely.

### Používání prodlužovacích kabelů

Používejte pouze schválené prodlužovací kabely odpovídající příkonu přístroje. Minimální průřez vodiče je 1,5 mm<sup>2</sup>. Používáte-li kabelový naviják, vždy ho odviňte celý.

## 3. SESTAVENÍ

#### Obr. B, F

- Nastavte základnu vrtačky (13) do správné polohy.
- Připevněte sloupek (11) pomocí dodaných šroubů (12) k základně vrtačky.
- Nyní nasuňte držák stolu (10) se stolem na sloupek (11). Stůl je pomocí upevňovací rukojeti (6) upevněn v požadované poloze.
- Nyní můžete sestavit skříň stroje (7) a zajistit upínací šrouby (8).
- Nasaďte na vřeteno držák krytu sklíčidla (21) a utáhněte šroub s hlavou s drážkou.

- Vyčistěte kuželový otvor ve sklíčidle (9) a ve vřetenu čistým kusem látky. Ujistěte se, zda nejsou na povrchu nalepeny žádné cizí částice.
- Zatlačte silně sklíčidlo (9) na vřeteno (21) směrem nahoru, co nejdále to půjde.
- Nasaďte čistý kryt sklíčidla (3) na držák krytu sklíčidla (9) a utáhněte upínací šrouby.
- Protože je vřeteno vrtačky namazáno ve výrobním závodě, je vhodné, aby byl stroj před použitím spuštěn v nejnižších otáčkách po dobu zhruba 15 minut.



*Před zatlačením sklíčidla na vřeteno vrtačky musí být vnitřní část sklíčidla a vnější povrch vřetena zcela bez maziva!*

### Nastavení sloupové vrtačky

Před použitím musí být vrtačka namontována na pevnou základnu. Základna vrtačky (13) je proto opatřena vyvrtnými otvory. Tak může být základna vrtačky připevněna k základně pomocí šroubů. Je-li vrtačka namontována na dřevěnou desku, na opačné straně musí být použity dostatečně velké podložky, aby nedocházelo k zatlačování šroubů do dřeva a aby nemohlo dojít k uvolnění stroje.



*Montážní šrouby by měly být utaženy tak, aby nedocházelo k velkému tlaku na základnu pily nebo k deformaci této základny. Je-li tlak na základnu příliš velký, hrozí riziko jejího prasknutí.*

### Nastavení otáček vřetena vrtačky

#### Obr. C

Nastavením klínového řemenu na hnací řemenici mohou být nastaveny různé otáčky vřetena vrtačky. Stroj je chráněn bezpečnostním spínačem, který provádí vypnutí stroje, dojde-li k otevření skříňové vrtačky. Provádějte přesunutí klínového řemenu následovně:

- Otevřete kryt klínového řemenu (14) uvolněním šroubu (16) na pravé straně krytu.
- Povolte upevňovací tlačítko (18) a posuňte motor směrem k hlavě vrtačky, pod kterou je uvolněn klínový řemen.
- Přesuňte klínový řemen podle tabulky, která se nachází na vnitřní části krytu klínového řemenu.
- Znovu napněte klínový řemen zatlačením desky motoru (17) směrem dozadu. Potom je napínací zařízení upevněno pomocí upevňovacího tlačítka (18).

- Uzavřete kryt klínového řemenu a stroj bude opět připraven k použití.



*Dbejte na to, aby byl kryt klínového řemenu během provozu stále uzavřen.*

#### **Obr. C a D**

Provedete-li přesunutí klínového řemenu, musíte tento řemen znovu utáhnout pomocí desky motoru (17) s upevňovacím tlačítkem (18). Napnutí řemenu je správné, můžete-li klínový řemen stisknout tak, aby byl jeho průhyb asi 1 cm. Řemenice motoru musí být horizontálně srovnána tak, aby bylo zabráněno předčasnému opotřebenému nebo uvolnění klínového řemenu. Proto může být řemenice motoru (15) na motoru po uvolnění šroubu s hlavou s vnitřním šestihranem posunuta po hřídeli motoru.

#### **Otáčky vřetena**

##### **Obr. E**

Poloha klínového řemenu	Ot./min
1	500
2	890
3	1400
4	1900
5	2500

Počet otáček vřetena vrtačky při nastavení klínového řemenu můžete zjistit z tabulky a obrázku.

Před připojením tohoto stroje k elektrické síti vyzkoušejte napnutí klínového řemenu.

## **4. OBSLUHA, RADY A TIPY**

### **Hloubkový doraz**

#### **Obr. A-1**

Vřeteno vrtačky je opatřeno hloubkovým dorazem (2). Může být nastaven pomocí matice. Hloubku vrtání můžete odečítat na příslušném měřítku.

### **Upínání vrtáku**

#### **Obr. F**

V hlavě vrtačky mohou být upnuty vrtáky nebo jiné pracovní nástroje s válcovou upínací stopkou. Hnací moment je přenášen na vrták pomocí upínací síly tří upínacích čelistí. Chcete-li zabránit prokluzování vrtáku, musíte jej upnout pomocí klíče na ozubený kroužek. Dojde-li k vyklouznutí

vrtáku ze sklíčidla, na upínací stopce vrtáku se objeví malé otřepy, které znemožní centrální upnutí vrtáku. Vzniknou-li tímto způsobem na vrtáku nějaké otřepy, musí být v každém případě odstraněny broušením.

### **Upínání obrobku**

#### **Obr. G**

Stůl vrtačky a základna vrtačky jsou opatřeny drážkami pro upevnění upínacích nástrojů. Vždy proveďte upnutí obrobku v upínací svorce nebo v jiném upínacím přípravku. Tímto způsobem zabráníte nehodám a dokonce zvýšíte přesnost vrtání, protože výrobek bude v nehybné poloze.

### **Nastavení pracovního stolu**

Pracovní stůl vrtačky je připevněn na sloup vrtačky a po uvolnění upevňovací rukojeti (6) může být nastaven do požadované výšky. Nastavte pracovní stůl takovým způsobem, aby byl mezi horní částí obrobku a hrotem vrtáku stále dostatečně velký prostor. Přejete-li si upnout obrobek přímo k základně vrtačky, můžete pracovní stůl také odklopit stranou.

#### **Obr. I**

Pracovní stůl může být sklopen také v případě, chcete-li provádět šikmé vrtání nebo potřebujete-li naklonit plochu obrobku. V takovém případě povolte šroub se šestihranou hlavou (20) v místě závěsu pracovního stolu a sejměte vystředění. Otočte pracovní stůl (19) do požadované polohy. Potom řádně utáhněte šroub se šestihranou hlavou (20) pomocí vhodného klíče.

### **Počet otáček, rychlost otáčení, posuv**

Posuv – posuvný pohyb vrtáku – je prováděn rukou pomocí páky vrtačky s 3 rameny. Rychlost otáčení je určena počtem otáček vřetena vrtačky a průměrem vrtáku. Správná volba posuvu a počtu otáček vřetena vrtačky jsou rozhodujícími faktory pro provozní životnost vrtáku. Následující informaci použijte jako základní pravidlo: u většího průměru vrtáku musí být nastaven nižší počet jeho otáček, čím vyšší je pevnost obrobku, tím vyšší musí být vyvíjen tlak na vrtaný obrobek. V takovém případě zmenšíte posuv vrtáku a současně snížíte jeho otáčky, aby nedošlo k přehřátí vrtáku. Mimoto musí být vrták chlazen chladícím olejem. U tenkých plechů musí být poměrně velké otvory vrtány opatrně s malým posuvem a malým

tlakem, aby bylo dosaženo přesných výsledků a aby měly vyvrtané otvory správnou velikost. Při vrtání hlubokých děr (hloubka dvakrát větší než průměr vrtáku) je obtížnější odstraňování pilin a teplota vrtáku je vyšší. Proto zmenšete posuv a počet otáček a pravidelným zvedáním vrtáku zajistíte lepší odstraňování pilin. Při vrtání s vrtáky s průměrem větším než 8 mm musí být provedeno předvrtání, aby bylo zabráněno předčasnému opotřebenému hlavního břitu vrtáku a aby nebylo nadměrně zatěžováno místo vrtání.

## 5. ÚDRŽBA



*Ujistěte se, že přístroj není zapnutý a je odpojen od sítě, jestliže provádíte údržbu motoru.*

Při provádění údržby motoru dbejte vždy na to, aby přístroj nebyl pod napětím. Přístroje značky jsou konstruovány pro dlouhodobé používání při minimální údržbě. Budou fungovat bez problémů, pokud se jim bude věnovat náležitá péče a pokud budou pravidelně čistěny.

### latní

Kryt přístroje pravidelně čistěte měkkým hadříkem (nejlépe po každém použití). Odstraňujte prach a špinu z otvorů ventilace. Pokud se apínu nepodaří odstranit, použijte měkký hadřík namočený v mýdlové vodě. Zásadně nepoužívejte rozpouštědla, jako jsou benzin, alkohol, čpavek apod. Tato rozpouštědla by mohla poškodit umělohmotné součásti přístroje.

### Mazání

Každé ložisko v této vrtačce je namazáno ve výrobním závodě. Další mazání není nutné. Čas od času byste měli namazat ozubnice a pastorky, zvedací mechanismus pracovního stolu, vřeten a drážky na dutém hřídeli. Otevřete kryt hnacího řemenu a postříkejte lehce olejem hřídel vřeten. Dávejte pozor, aby se olej nedostal na klínový řemen!

### Závady

Vznikne-li závada na některé součástce, například vlivem opotřebením, kontaktujte prosím servisní adresu uvedenou na záruční kartě. Na zadní straně návodu naleznete schematický nákres, které součástky lze objednat.

## ŽIVOTNÍ PROSTŘEDÍ

Přístroj je dodáván v odolném balení, které zabraňuje jeho poškození během přepravy. Většinu z materiálů, které jsou na balení použity, lze recyklovat. Zbavujte se jich proto pouze na místech určených pro odpad příslušných látek.



*Vadný a nebo vyhozený elektrický či elektronický přístroj musí být dodán na příslušné recyklační místo.*

### Pouze pro krajiny ES

Elektricky napájené zařízení neodhazujte do domovního odpadu. Ve smyslu evropské směrnice 2012/19/EU o elektrickém a elektronickém odpadu a její implementace do národního práva, se musí elektrické nástroje, které se již déle nepoužívají, shromážďovat odděleně a likvidovat pouze způsobem, jenž nepoškozuje životní prostředí.

## ZÁRUKA

Záruční podmínky naleznete na přiloženém záručním listě.

**Výrobek a návod k obsluze podléhají změnám. Technické údaje je možné změnit bez předchozího upozornění.**

## STOLOVÁ STĹPOVÁ VŔTAČKA TDM1026

Vďaka tomu máte teraz vynikajúci výrobok, dodaný jedným z hlavných distribútorov v Európe. Všetky výrobky, ktoré Vám dodala firma Ferm, sú vyrobené podľa najnovších noriem pre vyhotovenie a bezpečnosť. Súčasťou našej filozofie je poskytovať prvotriedny zákaznicky servis, podložený našou komplexnou trojročnou zárukou. Veríme, že sa budete tešiť z tohto výrobku po mnoho nadchádzajúcich rokov.



*Pred použitím zariadenia si pozorne prečítajte prevádzkové pokyny. Oboznámte sa s jeho funkciami a základnou prevádzkou. Servis zariadenia vykonávajte podľa pokynov, aby ste zaručili, že bude vždy správne fungovať. Prevádzkové pokyny a príslušná dokumentácia sa musí uschovať v blízkosti zariadenia.*

### 1. ÚDAJE O ZARIADENÍ

#### Technické podmienky

Napätie	230 V~
Frekvencia	50 Hz
Príkion (S2)	350 W
Otáčky bez zaťaženia	500 - 2500/min
Počet rýchlostí	5
Otvorenie skľučovadla	13 mm
Hmotnosť	14 kg
Lpa (akustický tlak)	71 dB(A) K=3
Lwa (akustický výkon)	84 dB(A) K=3
Vibračná hodnota	<2.5 m/s <sup>2</sup>

#### Hladina vibrácií

Hladina emisií od vibrácií uvedená na zadnej strane tohto návodu na obsluhu bola nameraná v súlade s normalizovaným testom uvedeným v norme EN 60745; môže sa používať na vzájomné porovnávanie náradí a na predbežné posúdenie vystavenia účinkom vibrácií pri používaní náradia pre uvedené aplikácie.

- používanie náradia na rôzne aplikácie, alebo v spojení s rôznymi alebo nedostatočne udržiavanými doplnkami môže značne zvýšiť úroveň vystavenia.
- časové doby počas ktorých je je náradie

vypnuté alebo počas ktorých náradie beží ale v skutočnosti nevykonáva prácu môžu značne znížiť úroveň vystavenia.

Chráňte sa pred účinkami vibrácií tak, že budete náradie a jeho príslušenstvo správne udržiavať, tak že nebudete pracovať so studenými rukami a tak že si svoje pracovné postupy správne zorganizujete.

#### Description

Čísla v texte odkazujú na schémy na stranách 2-4.

1. Spínač Zap./vyp.
2. Obmedzovač hĺbky
3. Kryt skľučovadla
4. Motor
5. Rukoväť hĺbky vrtania
6. Nastavenie stola
7. Spínač núdzového zastavenia
8. Upevňovacia skrutka
9. Skľučovadlo
10. Držiak stola
11. Stíp
12. Skrutky
13. Základná doska
14. Horný kryt klinového remeňa
15. Dolný kryt klinového remeňa
16. Zámok krytu
17. Doska motora
18. Zámok napnutia pásu
19. Stôl
20. Šesthranná skrutka
21. Vreteno
22. Kľúč skľučovadla

Skontrolujte najprv, či dodávka nebola poškodená pri doprave a/alebo či sú všetky diely dodané.

### 2. BEZPEČNOSTNÉ POKYNY

#### Vysvetlenie symbolov

V tejto používateľskej príručke sa používajú nasledujúce symboly:



Označuje riziko úrazu osôb, straty života alebo poškodenia zariadenia v prípade nedodržania pokynov v tomto manuáli.



Označuje riziko úrazu elektrickým prúdom.



*Ihneď vyberte napájaciu zástrčku zo siete, ak sa napájací kábel poškodil a takisto počas čistenia a údržby.*



*Udržiavajte okolostojacich ďalej od zariadenia.*



*Noste ochranu sluchu a zraku.*

### **Počas používania musíte dbať na nasledujúce skutočnosti:**

- Neodstraňujte žiadne mechanické alebo elektrické ochranné prvky.
- Skontrolujte, či sú všetky ochranné prvky na svojom mieste a či sú správne pripojené.
- Počas vrtania používajte ochranné okuliare.
- Ak máte dlhé vlasy, používajte ochranu vlasov (sieťku na vlasy alebo čiapku). Dlhé vlasy sa môžu ľahko zachytiť v pohyblivých častiach.
- Používajte vhodné oblečenie. Zapnite si gombičky na rukávoch.
- Počas vrtania nedržte žiadne obrobky rukou. Vždy používajte svorku zariadenia alebo iný upínací nástroj.
- Chráňte obrobky a upínacie nástroje na stole, aby sa zabránilo ich zachyteniu. Upevnite ich skrutkami alebo ich pripevnite do svorky zariadenia pripevnenej k stolu.
- Skontrolujte, či je držiak vrtáka správne utiahnutý.
- Skontrolujte, či sú priechodky káblov v poriadku.
- Na odstránenie úlomkov spôsobených vrtaním používajte iba ručné kefy, kefy, gumové stierky, háčiky na úlomky alebo podobné pomôcky.
- Keď je zariadenie v prevádzke, nevykonávajte žiadne čistenie ani mazanie.
- Klinové remene udržiavajte vždy zakryté (aby nemohlo dôjsť k zachyteniu rúk).
- Držiak ozubeného kolesa vrtáka uťahujte iba pomocou kľúča.
- Nikdy nenechávajte kľúč držiaka vrtáka v držiaku vrtáka! Pred zapnutím zariadenia skontrolujte, či sa kľúč skutočne odstráni!
- Nepoužívajte žiadne vrtáky, ktorých stopka je poškodená.
- Vrtáčku nie je vhodné používať ako lis!
- Ak je sieťový kábel poškodený, môže sa vymeniť iba za sieťový kábel rovnakého typu.

### **Zariadenie okamžite vypnite, keď:**

- Dôjde k narušeniu elektrickej zástrčky, napájacieho kábla alebo poškodeniu napájacieho kábla.
- Dôjde k poruche spínača.
- Zacitíte zápach spálenej izolácie.

### **Bezpečnosť elektrického zariadenia**

Keď používate elektrické zariadenia, vždy dodržiavajte bezpečnostné predpisy platné vo vašej krajine na zníženie rizika požiaru, úderu elektrickým prúdom alebo telesného úrazu. Prečítajte si nasledujúce bezpečnostné pokyny. Uchovávajte tento návod na bezpečnom mieste!



*Vždy skontrolujte, či sieťové napájanie odpovedá - napätie na typovom štítku.*



*Zariadenie je vybavené spínačom nulového napätia. Po poklese napätia sa zariadenie automaticky nespustí z bezpečnostných dôvodov. Zariadenie sa musí znova zapnúť.*

### **Výmena káblov alebo zástrčiek**

Okamžite odhodte staré káble alebo konektory potom, čo ich vymeníte za nové. Je nebezpečné zapojiť konektor voľného kábla do sieťovej zásuvky.

### **Použitie predlžovacích káblov**

Vždy používajte len predlžovacie káble, ktoré sú vhodné pre príkon zariadenia. Minimálna hrúbka vodiča musí byť 1,5 mm<sup>2</sup>. Ak používate predlžovací kábel na navijaku, vždy ho celý odmotajte.

## **3. ZLOŽENIE**

### **Obr. B, F**

- Umiestnite základnú dosku (13) do správnej polohy.
- Pripevnite stĺp (11) pomocou dodaných skrutiek (12) k základnej doske.
- Teraz posuňte držiak stola (10) so stolom nad stĺp (11). Stôl upevnite do požadovanej polohy pomocou upevňovacej rukoväte (6).
- Teraz môžete namontovať kryt zariadenia (7) a zaistiť ho pomocou zaistovacích skrutiek (8).
- Pripevnite držiak skľučovadla na vreteno (21) a utiahnite skrutku s drážkou.

- Vyčistite kuželovitý otvor v skľučovadle (9) a vreteno čistým kusom látky. Uistite sa, že sa na povrchoch nenachádzajú žiadne cudzie častice.
- Skľučovadlo (9) silne zatlačte do vretena (21) až na doraz.
- Namontujte priehľadný kryt skľučovadla (3) na držiak krytu skľučovadla (9) a utiahnite upevňovacie skrutky.
- Keďže vreteno vŕtačky sa maže vo výrobe, pred použitím odporúčame nechať zariadenie v prevádzke pri najnižšej rýchlosti približne 15 minút.



*Skôr než zatlačíte skľučovadlo do vretena vŕtačky, na vnútornej strane skľučovadla a vonkajšej strane vretena sa nesmie nachádzať žiadne mazivo!*

### Nastavenie stolnej vŕtačky

Vŕtačka sa pred použitím musí namontovať na pevnú základňu. Na základnej doske (13) sa preto nachádzajú vyvŕtané otvory. Pomocou skrutiek sa základná doska môže na tomto mieste pripieňať k základni. Ak sa namontuje na drevenú dosku, na opačnej strane sa musia použiť dostatočne veľké podložky, aby sa skrutky nezatlačili do dreva a nemohlo dôjsť k uvoľneniu zariadenia.



*Upevňovacie skrutky sa môžu utiahnuť tak, aby základná doska nebola vystavená napätiu alebo sa nezdeformovala. Ak je napnutie príliš veľké, hrozí riziko zlomenia.*

### Nastavenie počtu otáčok vretena vŕtačky

#### Obr. C

Rôzne otáčky vretena vŕtačky môžete nastaviť tak, že posuniete klinový remeň na pohone remeňa. Zariadenie je chránené bezpečnostným spínačom tak, aby sa automaticky vyplo pri každom otvorení krytu. Klinový remeň sa posúva nasledovne:

- Otvorte kryt klinového remeňa (14) uvoľnením skrutky (16) na pravej strane krytu.
- Uvoľnite upevňovacie tlačidlo (18) a posuňte motor v smere hlavy zariadenia, na ktorej sa klinový remeň uvoľňuje.
- Posuňte klinový remeň podľa tabuľky na vnútornej strane krytu klinového remeňa.
- Zatlačením dosky motora (17) dozadu opätovne napnite klinový remeň. Napínacie

zariadenie sa následne upevní pomocou upevňovacieho tlačidla (18).

- Zatvorte kryt klinového remeňa. Zariadenie je opäť pripravené na použitie.



Počas používania nechajte kryt klinového remeňa uzavretý.

#### Obr. C a D

Ak ste klinový remeň posunuli, musíte ho znova napnúť pomocou dosky motora (17) s upevňovacím tlačidlom (18). Napnutie je správne, keď sa klinový remeň dá stlačiť približne o 1 cm. Remenica motora musí byť zarovnaná vodorovne, aby sa zabránilo predčasnému opotrebovaniu a uvoľneniu klinového remeňa. Na tento účel sa remenica motora (15) môže po uvoľnení skrutky so zástrčkovou hlavou posúvať pozdĺž osi motora.

### Rýchlosti vretena

#### Obr. E

Poloha klinového remeňa	Otáčky/min.
1	500
2	890
3	1400
4	1900
5	2500

Počet otáčok vretena vŕtačky kombinácií klinového remeňa je uvedený na obrázku a v tabuľke.

Pred pripojením zariadenia k elektrickej sieti vyskúšajte napnutie klinového remeňa.

## 4. PREVÁDZKA, TIPY A TRIKY

### Hĺbkový doraz

#### Obr. A-1

Vreteno vŕtačky je vybavené hĺbkovým dorazom (2). Môže sa nastaviť pomocou matice. Hĺbku vŕtania môžete zistiť pomocou stupnice.

### Upnutie vŕtačky

#### Obr. F

Do hlavice stolnej vŕtačky môžete upnúť vŕtáky a iné nástroje s valcovou stopkou. Rotačný moment sa prenáša na vŕtačku pomocou napnutia troch upínacích čelustí. Aby sa zabránilo uvoľneniu vŕtáka, musíte ho upnúť pomocou kľúča ozubeného kolesa. Ak sa vŕtáky v držiaku vŕtáka

uvoľní, na stopke vrtáka vznikne mierny ostrap, čo znemožní centrické upnutie. Takto vzniknutý ostrap sa musí v každom prípade odstrániť brúsením.

### Upnutie obrobku

#### Obr. G

Stôl a základná doska vrtáčky sú vybavené drážkami na upevnenie upínacích nástrojov. Obrobok vždy upevnite v svorke zariadenia alebo iných upínacích nástrojov. Týmto spôsobom zabránite nehodám a dokonca zvýšite presnosť vrtania, pretože obrobok je v pevnej polohe.

### Nastavenie stola

Stôl vrtáčky sa upevňuje na stĺp vrtáčky a po uvoľnení upevňovacej rukoväte (6) sa dá výškovo nastaviť. Nastavte stôl tak, aby medzi hornou časťou obrobku a hrotom vrtáka ešte zostalo dostatok miesta. Stôl tiež môžete otočiť do strán, ak si želáte upnúť obrobok priamo na základnú dosku.

#### Obr. I

V prípade šikmého vrtania a šikmého oporného povrchu obrobku môžete stôl otočiť. Na tento účel uvoľníte šesťhrannú skrutku (20) v bode spojenia stola a zrušte vycentrovanie. Otočte stôl (19) do požadovanej polohy. Následne správne priskrutkujte šesťhrannú skrutku (20) pomocou kľúča.

Počet otáčok, rýchlosť otáčania, posun  
Posun – pohyb vrtáka – sa uskutočňuje ručne pomocou trojramennej páky vrtáka. Rýchlosť otáčania je určená počtom otáčok vretena vrtáčky a priemerom vrtáka. Správny výber posunu a počtu otáčok vretena vrtáčky sú rozhodujúce faktory životnosti vrtáka. Nasledujúce podmienky platia ako základné pravidlo: v prípade väčšieho priemeru vrtáka musí byť počet otáčok nastavený na nižší; čím väčšia je pevnosť obrobku, tým väčší musí byť aj rezný tlak. Aby v takomto prípade nedošlo k prehriatiu vrtáčky, musí sa súčasne znížiť posun a rýchlosť otáčania. Vrtáčka sa navyše musí chladiť vrtacím olejom. V prípade tenkých dosiek sa väčšie vývrty musia vykonávať opatrne s malým posunom a rezným tlakom, aby sa získal presný výsledok a vývrt správnej veľkosti. V prípade hlbokých vývrtov (väčších ako dvojnásobok priemeru vrtáka) je odstránenie úlomkov ťažšie a teplota vrtáka je vyššia. Z tohto dôvodu znížte posun a počet otáčok a zabezpečte lepšie odstraňovanie

úlomkov pravidelným vyťahovaním vrtáka. V prípade vrtania s priemerom väčším ako 8 mm sa musí vykonať predvrtanie, aby sa zabránilo predčasnému opotrebeniu hlavnej reznej hrany vrtáka a nadmernému zaťaženiu hrotu vrtáka.

## 5. ÚDRŽBA



*Zabezpečte, aby zariadenie nebolo pod prúdom pri vykonávaní údržby na motore.*

Zariadenia sú konštruované na prevádzku po dlhé časové obdobie s minimálnou údržbou. Trvalá uspokojivá prevádzka závisí na správnej starostlivosti o stroj a na pravidelnom čistení.

### Čistenie

Udržiavajte vetracie štrbiny stroja čisté, aby sa motor neprehrieval. Pravidelne čistite krytovanie zariadenia mäkkou tkaninou, najlepšie po každom použití. Udržiavajte vetracie štrbiny bez prachu a nečistôt. Ak nečistota neodchádza, použite mäkkú tkaninu namočenú do mydlovej vody. Nikdy nepoužívajte rozpúšťadlá, ako je benzín, alkohol, čpavková voda atď. Tieto rozpúšťadlá môžu poškodiť plastové časti.

### Mazanie

Jednotlivé ložiská vo vrtáčke boli namazané vo výrobe. Ďalšie mazanie nie je potrebné. Občas by ste mali namazať ozubenia a pastorky, zdvihací mechanizmus stola, vreteno a drážky dutého hriadeľa. Otvorte kryt hnacieho remeňa a naneste trochu oleja na hriadeľ vretena. Nedovoľte, aby sa olej dostal na hnací remeň!

### Poruchy

Ak sa objaví porucha, napr. po opotrebení dielu, kontaktujte servisnú adresu na záručnom liste. V zadnej časti tohto návodu nájdete rozložený pohľad s vyobrazením dielov, ktoré je možné objednať.

## ŽIVOT NÉ PROSTREDIE

Aby sa predišlo poškodeniu počas prepravy, zariadenie sa dodáva v pevnom balení, ktoré pozostáva zo znovu využiteľného materiálu. Preto využite možnosti pre recyklovanie obalu.



*Chybné alebo vyradené elektrické alebo elektronické prístroje sa musia zhromažďovať na príslušných recyklačných miestach.*

### Len pre štáty ES

Elektricky napájané zariadenia neodhadzujte do domového odpadu. Podľa európskej smernice 2012/19/EU o elektrickom a elektronickom odpade a jej implementácie do národného práva, elektrické nástroje, ktoré sa už ďalej nepoužívajú, sa musí zhromažďovať samostatne a likvidovať iba ekologicky prijateľným spôsobom.

## ZÁRUKA

Kvôli podmienkam záruky si pozrite osobitne dodaný záručný list.

**Výrobok a návod na obsluhu podliehajú zmenám. Technické údaje sa môžu zmeniť bez predchádzajúceho upozornenia.**

## NAMIZNI VRTALNIK S STOJALOM TDM1026

### Zahvaljujemo se vam za nakup izdelka

**Ferm.** Postali ste lastnik izjemnega izdelka, proizvedenega s strani enega vodilnih evropskih dobaviteljev. Vsi izdelki podjetja Ferm so izdelani skladno z najvišjimi standardi delovanja in varnosti. Kot del naše filozofije nudimo tudi izjemno podporo kupcem, podprto z našo široko obsegajočo garancijo. Upamo, da boste med dolgoletno uporabo tega izdelka nadvse uživali.



*Pred uporabo naprave si pozorno preberite navodila za uporabo. Čimbolj se seznanite z njenimi funkcijami in osnovnimi operacijami. Za zagotovitev stalnega pravičnega delovanja servisirajte napravo skladno z navodili. Navodila za uporabo in pripadajoča dokumentacija naj vam bo vedno dostopna.*

## 1. PODATKI O NAPRAVI

### Tehnična specifikacija

Napetost	230 V~
Frekvenca	50 Hz
Imenska moč (S2)	350 W
Hitrost v prostem teku	500 - 2500/min
Število hitrosti	5
Premer vpenjalne glave	13 mm
Teža	14 kg
Lpa (zvočni tlak)	71 dB(A) K=3
Lwa (zvočna jakost)	84 dB(A) K=3
Vibracija	<2.5 m/s <sup>2</sup>

### Raven vibracij

Raven oddajanja vibracij, navedena na zadnji strani teh navodil za uporabo je bila izmerjena v skladu s standardiziranimi testi, navedenimi v EN 60745; uporabiti jo je mogoče za primerjavo različnih orodij med seboj in za predhodno primerjavo izpostavljenosti vibracijam pri uporabi orodja za namene, ki so omenjeni.

- uporaba orodja za drugačne namene ali uporaba skupaj z drugimi, slabo vzdrževanimi nastavki lahko znatno poveča raven izpostavljenosti.
- čas, ko je orodje izklopljeno ali ko teče, vendar z njim ne delamo, lahko znatno zmanjša raven izpostavljenosti.



Pred posledicami vibracij se zaščitite z vzdrževanjem orodja in pripadajočih nastavkov, ter tako, da so vaše roke tople, vaši delovni vzorci pa organizirani.



*Druge osebe v bližini morajo stati v varni razdalji.*

### Description

Številke v besedilu ustrezajo diagramom na strani 2-4.

1. Stikalo vklop/izklop
2. Omejilo globine
3. Ščitniki vpenjalne glave
4. Motor
5. Ročica za globino vrtnja
6. Nastavitev mize
7. Gumb za izklop v sili
8. Pritrdilni vijak
9. Vpenjalna glava
10. Držalo mize
11. Steber
12. Vijaki
13. Osnovna plošča
14. Zgornji pokrov klinastega jermena
15. Spodnji pokrov klinastega jermena
16. Zapah pokrova
17. Motorna plošča
18. Zapahnitev napetosti jermena
19. Miza
20. Vijak imbus
21. Vreteno
22. Ključ vpenjalne glave

Preglejte stroj, dele in dodatke in se prepričajte, da med transportom ni prišlo do poškodb.

## 2. VARNOSTNA NAVODILA

### Razlaga simbolov

V teh navodilih za uporabo so uporabljeni sledeči simboli:



*Označuje nevarnost poškodb, smrti ali materialnih škod na napravi in predmetih zaradi neupoštevanja navodil, ki so zajeta v tem priložniku.*



*Označuje nevarnost električnega udara.*



*Pri sestavljanju naj bo orodje vedno odklopljeno z napajanja.*



*Nosite varovalno opremo za ušesa in oči.*

### Med uporabo morate upoštevati naslednje točke:

- ne odstranite mehanskih ali električnih zaščitnih priprav;
- preverite, ali so vse zaščitne priprave nameščene in brezhibno pritrjene;
- med vrtnjem nosita zaščitna očala;
- če nosite dolge lase, obvezno nadenite zaščito za lase (mrežico ali kapo); gibljivi deli zlahka zagrabijo dolge lase;
- nosite tesno oprijeta oblačila; zategnite pas na rokavih;
- med vrtnjem ne držite obdelovanca z roko; vedno uporabljate vpenjalnik orodja ali drugo vpenjalno orodje;
- zavarujte obdelovance in vpenjalna orodja na mizi, da bi preprečili, da jih orodje zagrabijo; sami jih pritrdite z vijaki ali jih s sponkami pritrdite na mizo;
- preverite, ali je držalo vrtalnika zategnjeno trdno;
- preverite, dali so skozniki kablov v redu;
- za odstranjevanje ostružkov uporabljajte le ročne krtačke, čopiče, gumijasta strgala, grebljice za ostružke in podobne pripomočke;
- med delovanjem ne čistite ali mažite stroja;
- klinasti jermen mora biti vedno pokrit (tako, da ne more zagrabiti rok);
- zobato vpenjalno glavo vedno zategnite s ključem;
- v vpenjalni glavi nikoli ne pustite ključa za vpenjalno! Pred vklopom stroja preverite, dali ste ključ v resnici odstranili!
- ne uporabljajte poškodovanih svetrov s poškodovanim stebrom ali obdelovancev;
- vrtalnik ni primeren za rezkanje!
- če je poškodovan električni kabel, ga je treba zamenjati le s kablom istega tipa.

### Stroj izključite takoj, če:

- ugotovite poškodbe električnega vtiča, posameznih žil ali kabla;

- je poškodovano stikalo;
- opazite dim ali vonj zaradi staljene izolacije.

### Električna varnost

Ko uporabljate električna orodja vedno upoštevajte varnostna pravila, ki veljajo v vaši državi za zmanjšanje nevarnosti požara, električnega udara ali osebne poškodbe. Preberite naslednja navodila za vašo varnost, kot tudi priložena varnostna navodila. Hranite ta navodila na varnem kraju.



*Vedno zagotovite, da je napetost napajanja enaki napetosti na ploščici s tehničnimi podatki o stroju.*



*Stroj ima stikalo na diferenčni tok. Ko pade napetost, se stroj iz varnostnih razlogov ne bo zagnal samodejno. Stroj je treba znova vklopiti.*

### Zamenjava kabla ali vtikača

Če je kabel poškodovan, ga je potrebno zamenjati, in sicer gre za poseben kabel, ki je na voljo pri proizvajalcu oziroma servisni službi. Poškodovan kabel zavrzite takoj po zamenjavi. Priključitev kabla, čigar kontakti ali vodniki niso primerno pritrjeni, v vtičnico je nevarno.

### Uporaba kablskih podaljškov

Porabi le standardni podaljšek z žico premera min. 1.5 mm<sup>2</sup>. Ko uporabljate navijalni podaljšek, odvij kabel do konca.

## 3. SESTAVLJANJE

### Sl. B, F

- Osnovno ploščo (13) postavite v pravilni položaj.
- Steber (11) pritrдите s priloženimi vijaki (12) na osnovno ploščo.
- Zdaj potisnite držalo mize (10) z mizo prek stebra (11). Z vpenjalnim vijakom (6) pritrдите mizo na želeni položaj.
- Zdaj lahko montirate ohišje stroja (7) in zategnete zatiči za zapahnitev (8).
- Držalo ščitnika vpenjalne glave namestite na vreteno (21) in zategnite vijake z zarezo.
- S čisto krpo očistite stožčasto luknjo v vpenjalni glavi (9) in vreteno. Prepričajte se, da na površini in ostankov tujkov.

- Močno potisnite vpenjalno glavo (9) čim dalje na vreteno (21).
- Prosojni ščitnik vpenjalne glave (3) namestite na držalo ščitnika vpenjalne glave (9) in zategnite pritrtilni vijak.
- Ker je bilo vreteno vrtalnika že namazano v tovarni, priporočamo, da stroj pustite pred uporabo delovati 15 minut pri najnižjem številu vrtljajev.



*Preden boste vpenjalno glavo potisnili na vreteno vrtalnika, morate zagotoviti, da bosta notranjost in zunanost vretena absolutno brez maziva!*

### Postavitev namiznega vrtalnika

Pred zagonom morate vrtalnik trdno montirati na delovno ploščo. Za to ima delovna ploščica (13) izvrtine. Z vijaki lahko osnovno ploščo trdno privijete na delovno ploščo. Če ga pritrдите na leseno ploščo, morate na nasprotni strani uporabiti dovolj velike podložke, da se matice ne vtisnejo v les in se stroj ne zrahlja.



*Pritrdilne vijake je dovoljeno zategniti le toliko, da se osnovna ploščica ne napne, ali deformira. Ob preveliki obremenitvi obstaja nevarnost loma.*

### Nastavitve števila vrtljajev vretena

#### Sl. C

Različno število vrtljajev vretena lahko nastavite s prestavitvijo klinastega jermena v pogonu z jermenom. Stroj je zaščiten z varnostnim stikalom tako, da se stroj samodejno izklopi, ko odprete ohišje. Klinasti jermen prestavite na naslednji način:

- pokrov klinastega jermena (14) odprite tako, da odvijete vijak (16) na desni strani pokrova;
- odvijte pritrtilni gumb (18) in potisnite motor proti glavi stroja, na kateri je popuščen klinasti jermen;
- prestavite klinasti jermen v skladu s tabelo na notranji strani pokrova klinastega jermena;
- klinasti jermen znova napnite tako, da ploščo motorja (17) potisnete nazaj; nato morate napenjalno pripravo pritrđiti s pritrđilnim gumbom (18);
- zaprite pokrov klinastega jermena in stroj je znova pripravljen za uporabo.



Med uporabo mora biti pokrov klinastega jermena zaprt.

### Sl. C in D

Če ste prestavili klinasti jermen, ga morate znova zategniti z motorno ploščo (17) in pritrdilnim gumbom (18). Napetost je prava, če lahko klinasti jermen pritisnete za pribl. 1 cm. Motorna gred mora biti poravnana vodoravno, tako, da preprečite prehitro obrabo in snetje klinastega jermena. V ta namen lahko jermenico klinastega jermena na motorju (15) potisnete vzdolž gredi motorja, potem, ko ste popustili zatič z navojem.

### Števila vrtljajev vretena

#### Sl. E

Položaj klinastega jermena	Število vrtljajev/min
1	500
2	890
3	1400
4	1900
5	2500

Število vrtljajev vretena kombinacije klinastega jermena lahko preverite iz slike in tabele.

Pred priklopom stroja na električno omrežje preverite napetost klinastega jermena.

## 4. UPORABA, NAPOTKI IN NASVETI

### Omejilo globine

#### Sl. A-1

Vrtalno vreteno ima omejilo globine (2). Nastavite ga lahko z matico. Nastavitev globine lahko odčitate na lestvici.

### Vpenjanje svedra

#### Sl. F

V vpenjalno glavo namiznega vrtalnika lahko vpenete svedre in druga orodja s stožčastim stebлом. Navor se prenese na sveder z vpenjalno močjo treh vpenjalnih čeljusti. Sveder morate trdo vpeti s ključem za zobati venec, tako boste preprečili drsenje. Pri drsenju svedra v vpenjalni glavi nastane na steblu svedra zlahka zarobek, ki onemogoča središčno vpenjanje. Nastali zarobek morate na vsak način odstraniti z brušenjem.

### Vpenjanje obdelovanca

#### Sl. G

Vrtalna miza in osnovna plošča namiznega vrtalnika imata zatiče za pritrditev vpenjalnih orodij. Obdelovanec vedno vpenite v primež stroja ali z drugim vpenjalnim orodjem. S tem preprečite nevarnost nesreč in povečate celo natančnost vrtanja, ker obdelovanec ne "udarja".

### Nastavitev mize

Vrtalna miza je pritrjena na vrtalnem steburu in jo lahko nastavite po višini tako, da popustite vpenjalno ročico (6). Mizo nastavite tako, ostane med zgornjim robom obdelovanca in konico svedra dovolj prostora. Mizo lahko zasukate na stran, če bi radi obdelovanec vpeli neposredno na osnovno ploščo.

#### Sl. I

Za poševno vrtanje in pri poševni podporni površini obdelovanca lahko zasukate mizo. V ta namen odvijte vijak s šestrobno glavo (20) na sučnem zgibu mite in odstranite centriranje. Mizo (19) obrnite na zeleni položaj. Zdaj s pravim ključem znova privijte vijak s šestrobno glavo (20).

### Število vrtljajev, hitrost vrtanja, pomik

Pomik - podajanje svedra - se opravlja ročno na 3-ročnem vrtalnem vzvodu. Hitrost vrtanja se določa s številom vrtljajev vrtalnega vretena in premerom svedra. Prava izbira pomika in števila vrtljajev sta merodajna za življenjsko dobo svedra. Kot osnovno pravilo velja: večji je premer svedra, toliko bolj morate zmanjšati število vrtljajev; večja je trdota obdelovanca večji mora biti pritisk za vrtanje. Da se ob tem sveder ne bi preveč segreval, morate sočasno zmanjšati pomik in hitrost vrtanja. Ob tem je treba sveder hladiti z vrtalnimi oljem. Pri tankih pločevinah je treba večje izvrtine prevodno opraviti z manjšim pomikom in rezalnim tlakom, da se sveder ne zagozdi in ostane izvrtina prave velikosti. Pri globokih izvrtinah (večjih od 2 x premera svedra) je odvajanje ostružkov oteženo in segrevanje svedra večje. Tudi tu zmanjšajte pomik in število vrtljajev ter poskrbite za ponavljajoče se izvlečenje svedra iz izvrtine za boljše odvajanje ostružkov. Izvrtine z večjim premerom od 8 mm je treba navrtati, da bi preprečili predčasno obrabo glavnega rezila svedra in ne bi bila konica svedra preveč obremenjena.

## 5. VZDRŽEVANJE



*Pri vzdrževalnih delih na motorju se najprej prepričajte, da je stroj odklopljen z vira napajanja.*

Ti stroji so izdelani tako, da omogoča dolgotrajno obratovanje z malo vzdrževanja. Stalna in zadovoljna uporaba je odvisna od pravilne skrbi in rednega čiščenja stroja.

### Čiščenje

Zagotovite, da bodo prezračevalne reže čiste in tako preprečite pregrevanje motorja. Redno čistite okrove orodja z mehko krpo, najboljše po vsaki uporabi. Zagotovite, da bodo prezračevalne reže proste prahu in umazanije. Če slednja noče izpasti, uporabite mehko krpo, navlaženo z vodno milnico. Nikoli ne uporabljajte raztopin kot so bencin, alkohol, vodna raztopina amoniaka, itd. Slednje lahko poškodujejo plastične dele.

### Mazanje

Vsak ležaj vrtalnika je bil že namazan v tovarni. Dodatno mazanje ni potrebno. Občasno je treba namazati zobnike in zobati drog dviznega mehanizma vrtalne mite, vreteno in ozobje votlega vretena. Odprite pokrov pogonskega jermena in nakapajte nekaj kapljic olja na gred vretena. Na pogonski jermen ne sme priti nič olja!

### Motnje

Če pride do napake, npr. po nošenju dela, obvestite naslov servisne službe, ki je napisan na garancijski kartici. Na zadnji strani tega priročnika boste našli razširjen pogled, ki kaže dele, ki se jih lahko naroči.

## OKOLJE

Zaradi preprečevanja poškodb med prevozom je orodje dobavljeno v trdnem zaboju, iz veliko ponovno uporabljivih delov. Vsekakor pa se poskrbite za ustrezno recikliranje embalaže, če je le na voljo.



*Pokvarjene in/ali neizpravne električne ali elektronske naprave je potrebno odlagati na predpisanih reciklažnih mestih.*

### Samo za države ES

Električnih orodij ne vrzite stran v domače za smeti. Po Evropski smernici 2012/19/EU za WEEE (Odpadna električna in elektronska oprema) in njeno širitev v narodno pravo, je potrebno električna orodja, ki niso več uporabna, zbrati posebej in se jih znebiti na okolju prijazen način.

## GARANCIJA

Garancijski pogoji so opisani na priloženem garancijskem listu.

**Ta izdelek in ta navodila se lahko spremenijo. Specifikacije se lahko spremenijo brez opozorila.**

## GRĘŽIMO STAKLĖS TDM1026

### Ačiū, kad įsigijote šį „Ferm“ gaminį.

Dabar turite puikų gaminį, kurį pateikia vieni svarbiausių Europos tiekėjų.

Visi „Ferm“ tiekiami gaminiai yra pagaminti pagal aukščiausius veikimo ir saugos standartus. Be to, mes užtikriname puikų techninį aptarnavimą, pagrįstą mūsų visapuse garantija.

Mes tikimės, kad šis įrankis puikiai tarnaus jums ilgus metus.



*Prieš naudodami šį prietaisą, atidžiai perskaitykite naudojimo instrukciją. Susipažinkite su jo funkcijomis ir baziniu veikimu. Atlikite prietaiso techninės priežiūros darbus, vadovaudamiesi šia instrukcija, kad jis visada tinkamai veiktų. Naudojimo instrukcija ir su ja pateikiami dokumentai privalo būti laikomi šalia šio prietaiso.*

## 1. INFORMACIJA APIE ĮRENGINĮ

### Techniniai duomenys

Įtampa	230 V~
Dažnis	50 Hz
Elektros energijos sunaudojimas (S2)	350 W
Greitis be apkrovos	500 - 2500/min
Greičio nuostatų skaičius	5
Griebtuvo skersmuo	13 mm
Svoris	14 kg
Lpa (garso slėgio lygis)	71 dB (A) K = 3
Lwa (garso galios lygis)	84 dB (A) K = 3
Vibracija	<2,5 m/s <sup>2</sup>

### Vibracijos lygis

Šioje naudojimo instrukcijoje nurodytas vibracijos lygis nustatytas atsižvelgiant į standartinį bandymo metodą, pateiktą EN 1029; jį galima naudoti palyginimui su kitais įrankiais ir preliminarium vibracijos poveikio įvertinimui naudojant įrankį minėtiems darbams atlikti

- naudojant įrankį kitokiems darbams arba naudojant su kitokiais arba prastai techniškai prižiūrėtais priedais, poveikio lygis gali ženkliai padidėti
- kai įrankis yra išjungtas arba kai jis veikia, bet faktiškai nėra naudojamas, poveikio lygis gali ženkliai sumažėti

Apsisaugokite nuo vibracijos poveikio, techniškai prižiūređami įrankį ir jo priedus, laikydami rankas šiltai, planuodami darbus.

### Savybės

Skaičiai tekste nurodo diagramas puslapiuose 2-4.

1. Įjungiklis / išjungiklis
2. Gylio ribotuvas
3. Griebtuvo apsaugas
4. Variklis
5. Gręžimo gylio rankena
6. Stalo reguliavimas
7. Avarinio stabdymo jungiklis
8. Fiksavimo sraigtas
9. Griebtuvas
10. Stalo laikiklis
11. Kolona
12. Varžtai
13. Kojos plokštė
14. Viršutinis trapecinio diržo dangtis
15. Apatinis trapecinio diržo dangtis
16. Dangčio užraktas
17. Variklio plokštė
18. Diržo įtempio užraktas
19. Stalas
20. Sraigtas šešiakampe galvute
21. Ašis
22. Griebtuvo raktas

Pirmiausia patikrinkite, ar pristatytas gaminys nebuvo apgadintas gabenant ir (arba) ar pristatytos visos gaminio dalys.

## 2. SAUGOS INSTRUKCIJA

### Simbolių paaiškinimas

Šioje naudojimo instrukcijoje naudojami tokie simboliai:



*Reiškia susižeidimo pavojų, pavojų gyvybei arba žalos įrankiui pavojų, jei nebus laikomasi šiame vadove paveiktų nurodymų.*



*Reiškia elektros srovės įtampą.*



*Techninės priežiūros metu ir tuo atveju, jei būtų pažeistas elektros laidas, nedelsdami ištraukite elektros kištuką iš maitinimo lizdo.*



*Neleiskite artyn pašalinių asmenų.*



*Dėvėkite apsauginius akinius ir ausų apsaugas.*

### **Naudojimo metu privaloma atsizvelgti į toliau nurodytus dalykus:**

- Nepašalinkite jokių mechaninių ar elektrinių apsaugos priemonių.
- Patikrinkite, ar naudojamos visos apsaugos priemonės ir ar jos tinkamai pritvirtintos.
- Gręždami užsidėkite apsauginius darbo akinius.
- Jeigu turite ilgus plaukus, naudokite plaukų apsaugos priemonę (plaukų tinklėlį arba kepurę). Ilgus plaukus gali įtraukti judančios dalys.
- Dėvėkite prigludusius drabužius; rankovės privalo būti užsegtos.
- Gręždami nelaikykite ruošinių rankomis. Visada naudokite spaustuvus arba kitą įtvirtinimo įrankį.
- Pritvirtinkite ruošinius ir įtvirtinimo įrankius prie varstoto, kad jie nebūtų įtraukti.
- Patys priveržkite juos varžtais arba pritvirtinkite juos spaustuvais prie įrenginio spaustuvo, pritvirtinto prie pagrindo.
- Patikrinkite, ar grąžto laikiklis yra tinkamai priveržtas.
- Patikrinkite, ar tinkamai įrengti kabelio kreiptuvai.
- Gręžimo drožles valykite tik rankiniais šepetėliais, šepetėliais, guminėmis šluostėmis, drožlių šalinimo kabliais ar panašiomis priemonėmis.
- Nevykdysite jokių valymo ar tepimo darbų įrenginiui veikiant.
- Pavarų diržai visada privalo būti uždengti (kad jie neįtrauktų rankų).
- Dantyto žiedinio grąžto laikiklį veržkite tik veržliarakčiu.
- Niekada nepalikite grąžto laikiklio veržliarakčio grąžto laikiklyje! Prieš įjungdami įrenginį, patikrinkite, ar tikrai pašalinote veržliarakštį!
- Nenaudokite grąžtų, kurių jungiamoji dalis yra apgadinta.
- Negalima naudoti gręžtuvo vietoj preso!
- Jeigu maitinimo kabelis būtų pažeistas, jį pakeisti galima tik tokio paties tipo maitinimo kabeliu.

### **Nedelsdami išjunkite įrenginį, jei:**

- sugedo elektros kištukas, nutrūko elektros laidas arba nutrūko elektros tiekimas;
- sugedo jungiklis;
- rūksta izoliacija arba jaučiamas svylančios izoliacijos kvapas.

### **Elektrosauga**

Naudodami elektrinius įrenginius visuomet laikykitės jūsų šalyje taikytinų saugos nuostatų, kad sumažintumėte gaisro, elektros smūgio ir susižeidimo pavojų. Perskaitykite šiuos saugos nurodymus, o taip pat ir pridėtus papildomus saugos nurodymus.



*Visada patikrinkite, ar tinklo įtampa atitinka kategorijos plokštelėje nurodytą įtampą.*



*Prietaise įrengtas nulinės įtampos jungiklis. Nukritus įtampai, įrenginys automatiškai išsijungs dėl saugumo sumetimų. Įrenginį teks iš naujo įjungti.*

### **Kabelių arba kištukų keitimas**

Pakeitę laidus ar kištukus naujais, senuosius tuoj pat išmeskite. Pavojinga kišti kištuką su kabančiu, neprijungtu laidu į sieninį lizdą.

### **Ilginamųjų laidų naudojimas**

Naudokite tik tinkamą ilginimo laidą, kuris atitiktų įrenginio galingumą. Minimalus laidininko skersmuo yra 1,5 mm<sup>2</sup>. Jei naudojate ant ritės susuktą laidą, visuomet iki galo jį išvyniokite.

## **3. MONTAVIMAS**

### **B ir F pava.**

- Tinkamai nustatykite apatinę plokštę (13).
- Prie apatinės plokštės pateiktais sraigtais (12) pritvirtinkite kolonėlę (11).
- Dabar užmaukite ant kolonėlės (11) pagrindo laikiklį (10) su pagrindu. Tvirtinimo rankena (6) pagrindas pritvirtinamas norimoje padėtyje.
- Dabar galite montuoti įrenginio korpusą (7) ir užfiksuoti fiksavimo kaiščiais (8).
- Sumontuokite griebtuvo apsaugo laikiklį ant ašies (21) ir priveržkite sraigta su įpjova galvutėje.
- Švaria šluoste išvalykite kūginę griebtuvo (9)

kiaurymę ir nuvalykite ašį. Įsitinkinkite, kad prie paviršių nėra prikibusių pašalinių medžiagų.

- Stipriai ir iki galo paspauskite griebtuvą (9) aukštin ant ašies (21).
- Sumontuokite skaidrųjį griebtuvo apsaugą (3) ant griebtuvo (9) apsaugo laikiklio ir priveržkite fiksavimo sraigtus.
- Kadangi gręžimo ašis būna sutepta gamykloje, patartina prieš naudojant paleisti įrenginį maždaug 15 minučių mažiausiomis apsuksomis.



*Prieš spausdami griebtuvą ant gręžimo ašies, išvalykite visą tepalą iš griebtuvo vidaus ir nuvalykite jį nuo ašies išorės!*

### Gręžimo staklių nustatymas

Prieš naudojimą gręžtuvą privaloma pritvirtinti prie fiksuoto pagrindo. Tam apatinėje plokštėje (13) išgręžtos skylės. Apatinę plokštę varžtais reikia pritvirtinti prie pagrindo šioje vietoje.

Jei jis montuojamas ant medinės plokštės, priešingoje pusėje privaloma naudoti pakankamai dideles poveržles, kad sraigtais nebūtų įspausti į medieną ir įrenginys neatsilaisvintų.



*Tvirtinimo varžtus reikia priveržti tiek, kad apatinė plokštė nebūtų įtempta ar deformuota. Jei įtempimas bus per didelis, kils trūkimo pavojus.*

### Grąžto veleno sūkių skaičiaus reguliavimas C pav.

Pakeičiant pavaros diržo padėtį diržo pavaroje, galima pakeisti grąžto veleno sūkių skaičių. Įrenginys yra apsaugotas apsauginiu jungikliu, todėl atidarius korpusą įrenginys automatiškai išsijungs. Pavaros diržas perkeliamas taip:

- Atidenkite pavaros diržo dangtį (14), atsukę dangčio dešinėje pusėje esantį varžtą.
- Atlaisvinkite tvirtinimo mygtuką (18) ir patraukite variklį įrenginio galvutės link - tuomet pavaros diržas atsilaisvins.
- Perkelkite pavaros diržą, atsižvelgdami į lentelę, esančią pavaros diržo dangčio vidinėje pusėje.
- Vėl įtempkite pavaros diržą, pastumdami variklio plokštę (17) į galą. Tada pritvirtinkite įtempiklį tvirtinimo mygtuku (18).
- Uždenkite pavaros diržo dangtį ir galėsite toliau naudotis įrenginiu.



*Naudojimo metu pavaros diržo dangtis turi būti uždarytas.*

### C ir D pav.

Jei perkėlėte pavaros diržą, privalote vėl jį įtempti, naudodami variklio plokštę (17) su tvirtinimo mygtuku (18). Įtempimas yra tinkamas, jei pavaros diržą galima įspausti maždaug 1 cm. Variklio skriemulys privalo būti sulygiuotas horizontaliai, kad būtų pavaros diržas pirma laiko nenusidėvėtų ir neatsilaisvintų. Tam variklio skriemulį (15) ant variklio galima paslinkti išilgai variklio ašies, atsukus varžtą plokščia galvute.

### Veleno sukimosi greičio nuostatos

#### E pav.

Pavaros diržo padėtis	sūk./min.
1	500
2	890
3	1400
4	1900
5	2500

Pavaros diržo grąžto veleno sūkių skaičiaus deriniai pateikti paveikslėlyje ir lentelėje.

Patikrinkite pavaros diržo įtempimą, prie prijungdami įrenginį prie elektros tinklo.

## 4. NAUDOJIMAS IR NAUDINGI PATARIMAI

### Gylio stabdiklis

#### A-1 pav.

Grąžto velenas turi gylio stabdiklį (2). Jį galima reguliuoti naudojant veržlę. Gręžimo gylis rodomas ant liniuotės.

### Grąžto įtvirtinimas

#### F pav.

Gręžimo staklių grąžto galvutėje galima įtvirtinti grąžtus ir kitus įrankius, turinčius cilindrinę jungiamąją dalį. Sukimo momentas perduodamas grąžtui naudojant trijų spaustuvų įtempimą. Norint, kad grąžtas neišslystų, jį privaloma pritvirtinti naudojant dantytą žiedinį veržliaraktį. Jei grąžtas iš grąžto laikiklio išslysta, grąžto jungiamoji dalis šiek tiek nupleišėja, dėl to centrinis įtvirtinimas tampa neįmanomas. Tokiu būdu atsiradusias atplaišas bet kuriuo atveju privaloma nušlifuoti.

## Ruošinio įtvirtinimas

### G pav.

Gręžimo staklėse ir gręžimo staklių apatinėje plokštėje padaryti grioveliai spaustuvams pritvirtinti. Visada pritvirtinkite ruošinį prie staklių spaustuvų ar kitų įtvirtinimo įrankių. Tokiu būdu apsaugosite nuo nelaimingų atsitikimų ir netgi padidinsite gręžimo tikslumą, nes ruošinys bus užfiksuotas.

### Staklių reguliavimas

Gręžimo staklės yra tvirtinamos prie grąžto kolonėlės ir jų aukštį galima reguliuoti atsukus tvirtinimo rankeną (6). Sureguliuokite stakles taip, kad tarp ruošinio viršaus ir grąžto galo liktų pakankamai vietos. Stakles taip pat galima pasukti į šonus, jei ruošinį norite tvirtinti tiesiai prie apatinės plokštės.

### I pav.

Stakles galima pasukti nuožulniam gręžimui ir esant nuožulniam atraminiam ruošinio paviršiui. Tam tikslui atsukite šešiakampį varžtą (20) staklių šarnyro taške ir pašalinkite centravimą. Pasukite stakles (19) į norimą padėtį. Tada veržliarakčiu tinkamai užveržkite šešiakampį varžtą (20).

### Sūkių skaičius, sukimosi greitis, tiekimas

Tiekimas - grąžto tiekimo judesys - atliekamas rankomis, naudojant 3-svirtę grąžto svirtį. Sukimosi greitis priklauso nuo grąžto veleno sūkių skaičiaus ir grąžto skersmens. Grąžto tarnavimo laikas tiesiogiai priklauso nuo šių veiksnių: tinkamo tiekimo ir grąžto veleno sūkių skaičiaus pasirinkimo. Apskritai galioja ši pagrindinė taisyklė: kuo didesnis grąžto skersmuo, tuo mažesnis turi būti grąžto sūkių skaičius; kuo kietesnis ruošinys, tuo didesnis turi būti pjovimo slėgis.

Kad šiuo atveju grąžtas neperkaistų, tiekimą ir sukimosi greitį tuo pat metu privaloma sumažinti. Be to, grąžtą privaloma aušinti gręžimo alyva. Dideles skyles plonuose ruošiniuose reikia gręžti atsargiai, naudojant mažą tiekimą ir mažą pjovimo slėgį, kad gręžiama būtų tiksliai ir išgręžtos skylės būtų tinkamo dydžio. Gręžiant gilesnes skyles (2 kartus didesnes už grąžto skersmenį), drožlės išstumiamos sunkiau ir grąžtas labiau kaista. Todėl sumažinkite tiekimą ir sūkių skaičių bei užtikrinkite geresnį drožlių

ištūmimą, reguliariai atitraukdami grąžtą atgal. Gręžiant didesnes nei 8 mm skersmens skyles privaloma išgręžti pradinę skylę, kad pagrindinis grąžto pjovimo kraštas nenusidėvėtų pirmiau laiko ir nebūtų per daug apkrautas grąžto galas.

## 5. TECHNINĖ PRIEŽIŪRA



*Atlikdami šio įrankio variklio techninę priežiūrą, įsitikinkite, ar prietaisu neteka elektros srovė*

Šis įrenginys skirtas ilgalaikiam darbui, prireikiant minimalios techninės priežiūros. Nuolatinis, geras įrankio veikimas priklauso nuo tinkamos įrankio priežiūros ir reguliaraus valymo.

### Valymas

Prietaiso ventiliacijos angos turi būti švarios, kad neperkaistų variklis. Reguliariai nuvalykite prietaiso korpusą minkšta šluoste - pageidautina kiekvieną kartą panaudojus įrankį. Valykite ventiliacijos angas, kad jose nebūtų dulkių ir purvo. Jeigu purvo nuvalyti nepavyktų, valykite jį minkštu skudurėliu, sudrėkintu muiluotame vandenyje. Valymui niekuomet nenaudokite tirpiklių, pavyzdžiui, benzino, alkoholio, amoniako tirpalo ir pan. Šie tirpikliai gali apgadinti plastmasines dalis.

Po naudojimo tuoj pat nuvalykite įrankį.

### Tepimas

Kiekvienas gręžimo staklių guolis patepamas gamykloje. Papildomai tepti nereikia. Retkarčiais turėtumėte patepti groteles ir dantračius, pagrindo pakėlimo mechanizmą, veleną ir tuščiavidurio veleno kaiščius. Atidarykite pavaros diržo apsauginį dangtį ir užšvirkškite truputį alyvos ant veleno ašies. Alyvos jokiais būdais neturi patekti ant pavaros diržo!

### Triktys

Jeigu įvyktų koks nors gedimas, pvz., susidėvėtų kokia nors dalis, susisiekite su techninio aptarnavimo atstovu, kurio adresas yra nurodytas garantijos kortelėje. Šio vadovo gale rasite dalių, kurias galite užsisakyti, sąrašą.



## APLĪKOSAUGA

Norīnt apsaugoti nuo pažeidimo gabenimo metu, šis prietaiss pristatomas kietoje pakuotėje, kurią pagrīnde sudaro medžiagos, kurias galima vēl naudoti. Todėl prašome atīduoti įpakavimą perdīrbimui.



*Sugadintus ir (arba) senus elektrinius ar elektroninius prietaiss privaloma atīduoti į specialiai tam skirtus atliekų surinkimo punktus.*

### Taikoma tik EB šalims

Neišmeskite elektrinių įrankių kartu su įprastomis buitīnėmis atliekomis.

Atsižvelgiant į ES Direktyvą 2012/19/ES dėl elektrinių ir elektroninių įrenginių bei jos įgyvendinimą pagal nacionalinius teisės aktus, visi elektriniai įrankiai privalo būti surenkami atskirai nuo buitīnių atliekų bei perdīrbami tokiu būdu, kad nebūtų daroma žala aplinkai.

## GARANTIJA

Perskaitykite garantines sąlygas, pateiktas atskirai pridėtoje garantijos kortelėje.

**Gaminys ir naudojimo instrukcija gali būti keičiami. Techniniai duomenys gali būti keičiami ne išankstinio įspėjimo.**

## GALDA URBĖJMAŠĪNA TDM1026

**Pateicamies, ka iegādājāties šo Ferm izstrādājumu.** Tādējādi jums tagad ir lielisks izstrādājums, ko izgatavojis viens no Eiropas vadošajiem ražotājiem. Visi izstrādājumi, ko ražojis Ferm, ir izgatavoti atbilstoši visaugstākajiem veiktspējas un drošības standartiem. Mūsu filozofijas pamatā ir arī izcilis klientu apkalpošanas serviss, kas ietilpst mūsu daudzpusīgajā garantijā. Mēs ceram, ka šo izstrādājumu ar prieku lietosiet gadiem ilgi.



*Pirms sākt lietot šo ierīci, uzmanīgi izlasiet lietošanas pamācību. Iepazīstieties ar tās funkcijām un pamata darbību. Ierīces apkopi veiciet saskaņā ar instrukcijām, lai nodrošinātu, ka tā vienmēr darbojas pareizi. Lietošanas pamācību un komplektācijā iekļauto dokumentāciju jāglabā ierīces tuvumā.*

## 1. INFORMĀCIJA PAR IEKĀRTU

### Tehniskie dati

Spriegums	230 V~
Frekvence	50 Hz
Jaudas patēriņš (S2)	350 W
Ātrums bez noslodzes	500 - 2500 apgr./min
Ātrumu skaits	5
Spīļpatronas atvērums	13 mm
Svars	14 kg
Lpa (skaņas spiediena līmenis)	71 dB(A) K=3
Lwa (skaņas jaudas līmenis)	84 dB(A) K=3
Vibrācija	<2,5 m/s <sup>2</sup>

### Vibrācijas līmenis

Šajā lietošanas rokasgrāmatā norādītā vibrāciju emisijas vērtība ir izmērīta saskaņā ar standarta pārbaudes metodi, kas norādīta EN 61029; to var izmantot viena instrumenta salīdzināšanai ar citu un tam, lai iepriekš novērtētu vibrācijas iedarbību, ja instrumentu lieto iepriekš minēto darbu veikšanai:

- vibrācijas iedarbība var būt ievērojami lielāka, ja instrumentu lieto citu darbu veikšanai, ja tam uzstāda citus piederumus vai ja uzstādītajiem piederumiem nav veikta pietiekami laba apkope;

- vibrācijas iedarbība var būt ievērojami mazāka laikā, kad instruments ir izslēgts vai darbojas tukšgaitā, faktiski neveicot darbu.

Pasargājiet sevi no vibrācijas iedarbības, veicot instrumenta un piederumu apkopi, rūpējoties, lai rokas būtu siltas un organizējot darba gaitu.

### Apraksts

Tekstā minētie numuri attiecas uz diagrammām 2.-4. Lappusē.

1. Ieslēgšanas/izslēgšanas slēdzis
2. Dziļuma ierobežotājs
3. Spīlpatronas aizsargs
4. Motors
5. Urbšanas dziļuma rokturis
6. Galda regulēšana
7. Avārijas apturēšanas slēdzis
8. Fiksācijas skrūve
9. Spīlpatrona
10. Galda turētājs
11. Kolonna
12. Skrūves
13. Platforma
14. Augšējais ķīļsiksna pārsegs
15. Apakšējais ķīļsiksna pārsegs
16. Vāka fiksators
17. Motora plate
18. Siksna spriegotāja fiksators
19. Galds
20. Seškanšu skrūve
21. Vārpsta
22. Patronas atslēga

Vispirms pārbaudiet, vai transportējot nav sabojāta piegādes pakā un vai tajā ir visas detaļas.

## 2. DROŠĪBAS NORĀDĪJUMI

### Simbolu skaidrojums

Šajos ekspluatācijas norādījumos izmantotas šādas piktoqrammas:



*Apzīmē ievainojuma, nāves vai instrumenta bojājuma risku, ja netiek ievēroti šajā rokasgrāmatā sniegtie norādījumi.*



*Norāda, ka pastāv elektriskais spriegums.*



*Vada bojājuma gadījumā un apkopes laikā nekavējoties atvienojiet kontaktdakšu no elektrotīkla.*



*Nelaujiet tuvumā atrasties nepiederošām personām.*



*Nēsājiet acu un ausu aizsarglīdzekļus.*

### Ekspluatējot instrumentu, jāņem vērā šādas lietas:

- nenņemiet nekādas mehāniskās vai elektriskās aizsargierīces.
- Pārbaudiet, vai visas aizsargierīces ir vietā un vai tās piestiprinātas pareizi.
- Urbšanas laikā valkājiet aizsargbrilles.
- Ja jums ir gari mati, aizsargājiet tos ar matu tīkliņu vai cepuri. Garus matus viegli var ieraut kustīgajās detaļās.
- Valkājiet piegulošu apģērbu, aizpogājiet piedurkņu pogas.
- Urbjot neturiet sagataves rokās. Izmantojiet instrumenta iespīlētāju vai kādas citas spaiļes.
- Sargājiet sagataves un iespīlētājus, kas atrodas uz darbagalda, lai tos neierautu instrumentā. Vai nu paši nostipriniet tos ar skrūvēm, vai arī iespīlējiet instrumenta iespīlētājā, kas piestiprināts pie galda.
- Pārbaudiet, vai urbja turētājs ir cieši pievilkts.
- Pārbaudiet, vai kabelkanāli ir kārtībā.
- Lai novāktu urbšanas skaidas, dariet to tikai ar rokas slotiņu, suku, gumijas tīrītāju, skaidu savākšanas āķi un tamīdzīgiem rīkiem.
- Kad instruments darbojas, neveiciet nekādu tīrīšanu vai eļļošanu.
- Raugieties, lai ķīļsiksna vienmēr būtu ar pārsegu (lai neierautu rokas).
- Zobgredzena urbja turētāju pievelciet tikai ar uzgriežņu atslēgu.
- Nedrīkst atstāt urbja turētāja uzgriežu atslēgu urbja turētājā! Pirms instrumenta ieslēgšanas pārbaudiet, vai uzgriežņu atslēga tik tiešām ir izņemta!
- Neizmantojiet tādus urbjus, kuriem bojāts kāts.
- Urbjmašīna nav paredzēta, lai to izmantotu kā presi!
- Ja strāvas kabelis bojāts, to drīkst nomainīt tikai ar tāda paša tipa strāvas kabeli.

**Nekavējoties izslēdziet instrumentu, ja:**

- barošanas vadā vai kontaktdakšā rodas pārrāvumi vai barošanas vads ir bojāts;
- slēdzis ir bojāts;
- apdegusi izolācija dūmo vai smird.

**Elektrodrošība**

Ekspluatējot elektroiekārtas, vienmēr ievērojiet jūsu valstī spēkā esošos drošības noteikumus, lai mazinātu ugunsgrēka, strāvas trieciena un savainošanās risku. Izlasiet šeit minētos drošības norādījumus, kā arī pievienotos drošības norādījumus.



*Pārbaudiet, vai barošanas avota spriegums atbilst kategorijas plāksnītē norādītajam spriegumam.*



*Instrumentu aprīkots ar nulles sprieguma slēdzi. Pēc sprieguma krituma drošības apsūkumu dēļ instruments automātiski darboties neatsāks. Instruments jāieslēdz no jauna.*

**Kabeļu vai kontaktdakšu nomainīšana**

Nekavējoties izmetiet vecos kabeļus vai kontaktdakšas, kad tie nomainīti ar jauniem. Ir bīstami ievietot vaļīga vada kontaktdakšu sienas kontaktligzdā.

**Pagarinātājvadu izmantošana**

Izmantojiet tikai apstiprinātus pagarinātājvadus, kas atbilst instrumenta ļaudai. Minimālais vada šķērsgriezuma laukums ir 1,5 mm<sup>2</sup>. Izmantojot kabeļa spoli, vienmēr pilnībā izritiniet kabeli.

**3. SALIKŠANA****B un F att.**

- Novietojiet pamatni (13) pareizajā pozīcijā.
- Statni (11) piestipriniet pie pamatnes ar komplektācijā iekļautajām skrūvēm (12).
- Galdiņa turētāju (10) ar galdiņu uzbīdīet uz statņa (11). Ar nostiprināšanas roktura (6) palīdzību galdiņu nostiprina vēlamajā pozīcijā.
- Tagad var salikt instrumenta korpusu (7) un nobloķēt ar bloķēšanas tapām (8).
- Piestipriniet patronas aizsargu turētājam uz vārpstas (21) un pievelciet rievoto skrūvi.
- Izīriet konisko caurumu patronā (9) un vārpstu

ar tīru auduma gabalu. Pārļiecinieties, vai uz virsmām nav pielipušu svešķermeņu.

- Spēcīgi uzspiediet patronu (9) uz vārpstas (21), cik vien tālu to iespējams uzvirzīt.
- Piestipriniet tīru spīlpatronas aizsargu (3) pie spīlpatronas (9) aizsarga turētāja piestipriniet stiprinājuma skrūves.
- Tā kā urbja vārpsta rūpnīcā ir ieeļļota, ieteicams instrumentu aptuveni 15 minūtes padarbināt ar vismazāko ātrumu.



*Pirms spīlpatronas uzdzīšanas uz urbja vārpstas, spīlpatronas iekšpusei un vārpstas ārpusēi jābūt pilnīgi bez ziežvielām!*

**Urbjmašīnas uzstādīšana**

Pirms ekspluatācijas urbjmašīnu jānovieto uz nostiprināta pamata. Tam paredzēta pamatne (13) ar izurbtiem caurumiem. Ar skrūvju palīdzību pamatni var piestiprināt pie pamata.

Ja to uzstāda uz koka dēļa, pretējā pusē nepieciešamas pietiekami lielas paplāksnes, lai skrūves netiktu iedzītas kokā un instrumenta stiprinājums nekļūtu vaļīgs.



*Stiprinājuma skrūves drīkst pievilkt tikai tik stipri, lai nedeformētu vai nospriego pamatni. Ja pamatni nospriego pārāk stipri, ir risks, ka tā var salūzt.*

**Urbja vārpstas apgrieziena skaita regulēšana, C att.**

Urbja vārpstas apgriezienus var regulēt, pārmainot ķīļsiksna pārnese. Instrumentu aizsargā drošības slēdzis: kad atver korpusu, instruments automātiski izslēdzas. Ķīļsiksnu pārļiek šādi:

- Atbrīvojiet skrūvi pārsega labajā pusē un atveriet ķīļsiksna pārsegu (14).
- Atbrīvojiet nostiprinošo pogu (18) un bīdīet motoru instrumenta galvas virzienā, tādējādi atbrīvojot ķīļsiksnu.
- Pārļieci ķīļsiksnu atbilstoši tabulai, kas atrodas ķīļsiksna pārsega iekšpusē.
- Atkal nospriegojiet ķīļsiksnu, atbīdot motora plati (17) atpakaļ. Tad nospriegošanas ierīci nostiprina ar nostiprinošo pogu (18).
- Aizveriet ķīļsiksna pārsegu, un instruments atkal ir gatavs darbam.



*Ekspluatācijas laikā ķīļsiksna pārsegam jābūt aizvērtam.*

### **C un D att.**

Ja ķīļsiksna pārlīkta, tā no jauna jānospriego ar motora plati (17) ar nostiprinošo pogu (18). Pareizi nospriegots ir tad, ja ķīļsiksnu var iespiest par aptuveni 1 cm. Motora skriemelim jābūt nolīdzinātam horizontāli, lai novērstu ķīļsiksna pāragru nodilšanu un atslābšanu. Lai to izdarītu, motora skriemeli (15), kas atrodas uz motora, var pabīdīt gar motora asi, vispirms atbrīvojot iedobes skrūvi.

### **Vārpstas ātrumi**

#### **E att.**

<b>Ķīļsiksna pozīcija</b>	<b>apgriezieni/min.</b>
1	500
2	890
3	1400
4	1900
5	2500

Urbja vārpstas apgriezienu skaits pie dažādām ķīļsiksna kombinācijām redzams attēlā un tabulā.

Pirms pieslēgt instrumentu barošanai, pārbaudiet ķīļsiksna nospriegojumu.

## **4. EKSPLUATĀCIJA, PADOMI UN IETEIKUMI**

### **Dziļuma aizturis**

#### **A-1 att.**

Urbja vārpstai ir dziļuma aizturis (2). To var regulēt ar uzgriežņa palīdzību. Urbuma dziļums redzams uz skalas.

### **Urbja iespīlēšana**

#### **F att.**

Galda urbja mašīnas urbšanas galvā iespējams iespīlēt urbjus un citus instrumentus ar cilindrisku kātu. Rotācijas moments tiek pārnesti uz urbi, nospriegojot trīs žokļus.

Lai urbis neizslīdētu, tas jāpievelk ar zobgredzena uzgriežņu atslēgu. Ja urbis slīd iekšā urbja turētājā, urbja vārpstā rodas neliela atskarpe, tādējādi urbi nav iespējams iecentrēt. Atskarpī, kas šādi radusies, noteikti jāizslīpē.

### **Sagataves iespīlēšana**

#### **G att.**

Urbšanas darbaldā un pamata plātnē ir rievās, kas paredzētas iespīlētāju piestiprināšanai. Sagatavi iespīlējiet ar instrumenta iespīlētāju vai kādām citām spailēm. Šādi jūs novērsīsiet nelaimes gadījumus un pat uzlabosiet urbšanas precizitāti, jo sagatave būs nostiprināta.

### **Darbgalda regulēšana**

Urbšanas darbalds ir piestiprināts pie urbja mašīnas statņa, un tā augstumu var regulēt, atbrīvojot nostiprinošo rokturi (6). Noregulējiet darbaldu tā, lai paliktu pietiekami daudz vietas starp sagataves augšpusi un urbšanas vietu. Darbgaldu iespējams arī pagriezt sāņus, ja sagatavi gribat iespīlēt tieši pamatnē.

#### **I att.**

Ja urbšanu jāveic slīpi un ja sagataves atbalsta virsma ir slīpa, darbaldu iespējams pagriezt. Lai to izdarītu, darbmašīnas locīklas vietā atļaidiet sešstūrgalvas skrūvi (20) un noņemiet centrēšanu. Pagrieziet darbaldu (19) vajadzīgajā pozīcijā. Tad ar uzgriežņu atslēgas palīdzību kārtīgi pieskrūvējiet sešstūrgalvas skrūvi (20).

### **Apgriezienu skaits, griešanās ātrums, padeve**

Urbja padeves kustība notiek ar roku ar trīszaru sviras palīdzību. Griešanās ātrumu nosaka urbja vārpstas apgriezienu skaits un urbja diametrs. Padeves režīma un urbja vārpstas apgriezienu skaita pareiza izvēle ir noteicošie faktori urbja mašīnas kalpošanas mūža ilgumam. Jāievēro šāds pamatprincips: lielākam urbja diametram jānoregulē mazāks apgriezienu skaits; jo cietāka sagatave, jo lielākam jābūt spiedienam.

Lai šādā gadījumā nepārkarsētu urbi, vienlaicīgi jāsamazina padeve un griešanās ātrums. Turklāt urbis jādzesē ar dzesēšanas eļļu. Ja plānās plāksnēs urbj samērā lielus caurumus, tas jādara uzmanīgi, ar lēnu padevi un nelielu spiedienu, lai rezultāts būtu precīzs un urbums būtu pareizajā izmērā.

Dziļiem urbumiem (kas dziļumā divkārt pārsniedz urbja diametru) skaidu izmešana ir apgrūtināta un urbja temperatūra ir augstāka. Tādēļ samaziniet padeves ātrumu un apgriezienu skaitu, bet, lai skaidas labāk tiktu izmestas, regulāri atvelciet urbi

atpakaļ. Ja urbuma diametrs pārsniedz 8 mm, vispirms jāveic priekšurbums, lai novērstu urbja galiņa pāragru nodilšanu un urbšanas punkta pārlogošanu.

## 5. APKOPE



*Pirms veikt motora apkopes darbus, pārļiecinieties, ka instrumentam nepienāk elektriskā strāva.*

Šis instruments paredzēts ilgām ekspluatācijas laikiem un prasa minimālu apkopi. Nepārtraukta apmierinoša darbība ir atkarīga no pareizas iekārtas apkopes un regulāras tīrīšanas.

### Tīrīšana

Uzturiet instrumenta ventilācijas atveres tīras, lai novērstu motora pārkaršanu. Ieteicams regulāri, vēlams, pēc katras lietošanas reizes, notīrīt iekārtas korpusu ar mīkstu drāniņu. Uzturiet ventilācijas atveres bez putekļiem un netīrumiem. Ja netīrumus neizdodas noslaucīt, izmantojiet mīkstu drāniņu, kas samitrināta ziepjūdenī. Nekad nelietojiet šķīdinātājus, piemēram, benzīnu, spirtu, amonjaka ūdeni, utt. Šie šķīdinātāji var sabojāt plastmasas detaļas.

Instrumentu notīriet tūlīt pēc lietošanas.

### Eļļošana

Urbja presē visi gultņi ir saeļoti jau rūpnīcā. Nav nepieciešama papildu eļļošana. Laiku pa laikam jāiesmērē ar smērvielu zobstieņi un zobrati, galdiņa pacelšanas mehānisms, vārpsta un dobvārpstas rievās. Atveriet dzensiksna aizsargu un uzšļāciet vārpstas asij nedaudz eļļas. Raugieties, lai eļļa nenokļūtu uz dzensiksna!

### Bojājumi

Ja rodas kādi bojājumi, piemēram, detaļas nodilumi, lūdzu, sazinieties ar pārdevēju vai apkopes centru, kura adrese norādīta garantijas talonā. Šis rokasgrāmatas aizmugurē atrodams izvērstas skats, kur parādītas detaļas, ko iespējams pasūtīt.

## VIDE

Lai izvairītos no bojājumiem pārvadāšanas laikā, iekārta tiek piegādāta cietā iepakojumā, kas sastāv galvenokārt no atkārtoti izmantojama

materiāla. Tāpēc izmantojiet iespējas iepakojuma pārstrādei.



*Bojātās un/vai norakstītās elektriskās un elektroniskās ierīces ir jānogādā uz pārstrādes stacijām, kas ir paredzētas šādām nolūkam.*

### Tikai ES valstīm

Neizmetiet elektroinstrumentus sadzīves atkritumos.

Saskaņā ar Eiropas Direktīvu 2012/19/ES par elektrisko un elektronisko iekārtu atkritumiem un, īstenojot to saskaņā ar valsts tiesību aktiem, visi elektroinstrumenti, kas vairāk nav lietojami, jāsavāc atsevišķi un jāpārstrādā videi nekaitīgā veidā.

## GARANTĪJA

Izlasiet garantijas nosacījumus atsevišķi piegādātā garantijas kartē.

**Izstrādājums var tikt pārveidots un lietošanas rokasgrāmatā var tikt izdarīti grozījumi. Tehniskie dati var tikt mainīti bez iepriekšēja brīdinājuma.**

## PUURPINK TDM1026

### Täname, et ostsite selle FERM toote.

Olete teinud hea ostu ning nüüd on teil suurepärase toode ühelt Euroopa juhtivalt elektritööriistade tarnijalt. Kõik FERM tarnitud tooted on valmistatud vastavuses rangeimate toimimis- ja ohutusnõuetega. Lisaks sellele oleme me seadnud endale eesmärgiks pakkuda suurepärasest klienditeenindusest ja igakülgset garantiid. Me loodame, et tunnete sellest tootest rõõmu ka aastate pärast.



*Lugege käesolevat kasutus- ja ohutusjuhendit hoolikalt enne seadme kasutuselevõttu. Õpi funktsioone ja põhilisi töövõtteid ja masin. Et tagada, et masin töötab korralikult, palutakse teil järgida neid juhiseid, nagu kirjeldatud käesolevas kasutusjuhendis.*

*Kasutusjuhendis ja sellega seotud dokumente tuleb säilitada masina lähedal.*

## 1. TEHNILISED ANDMED

Pinge	230 V~
Sagedus	50 Hz
Võimsus (S2)	350 W
Kiiruste vahemik	500 - 2500/min
Kiiruste arv	5
Padrun puuridele kuni	13 mm
Kaal	14 kg
Müratase Lpa	71 dB(A) K=3
Müratase Lwa	84 dB(A) K=3
Vibratsioon	<2.5 m/s <sup>2</sup>

### Vibratsioonitase

Käesoleva juhendi tagakaanel nimetatud tekkiva vibratsiooni tase on mõõdetud vastavalt standardis EN 60745 kirjeldatud standarditud testile; seda võib kasutada ühe tööriista võrdlemiseks teisega ja esialgse hinnangu vibratsiooni abil rakendustele nimetatud.

- tööriista kasutamine muudeks rakendusteks või teiste/halvasti hooldatud tarvikute kasutamisel võib ekspositsioonitase märkimisväärselt suurened
- ajal, kui tööriist on väljalülitatud või on küll sisselülitatud, kuid tegelikult seda ei kasutata,

võib ekspositsioonitase märkimisväärselt väheneda

Kaitske ennast vibratsiooni toime eest, hooldades tööriista ja selle tarvikuid, hoides oma käed soojad ja organiseerides hästi oma töövõtteid.

### Kirjeldus

Arvud tekstis allpool vastavad arvud leheküljel 2 - 4

1. Toitelüliti
2. Sügavuse piiraja
3. Padruni kaitsekate
4. Mootor
5. Puurimis sügavuse käepide
6. Laua reguleerimine
7. Hädaseiskamisüliti
8. Kinnituskruvi
9. Padrun
10. Laua hoidik
11. Sammas
12. Poldid
13. Alusplaat
14. Ülemine V-rihma kate
15. Alumine V-rihma kate
16. Katte lukk
17. Mootori plaat
18. Rihmapingutuslukk
19. Laud
20. Kuuskantkruvi
21. Võll
22. Padrunivõti

Kontrollige, et masinal ei esineks transpordikahjustusi, ja et kõik tarvikud on lisatud.

## 2. OHUTUSNÕUDED

### Piktogrammide tähendus



*Kahjustuste-, vigastuste- ja eluoht, kui ei järgita kasutusjuhendis toodud juhiseid.*



*Seade on elektrivoolu all.*



*Kaabli kahjustuste või seadme hooldustööde puhul eemaldage voolujuhe elektrivõrgust.*



*Hoidke inimesed eemal.*



*Kandke kaitseprille ja kuulmiskaitsmeid.*

### Enne kasutuselevõttu järgige järgmist:

- Ärge kõrvaldage mehhaanilisi ega elektriliseid kaitsmeid.
- Kandke puurimisel kaitseprille. Pikkade just korral tuleb need varjata mütsi või räti alla.
- Riietus töötamise ajal ei tohi olla lotendav, varrukad peavad olema kinnitatud tihedalt käevarre ümber, et ei tekiks ohtu puuri ümber haakuda.
- Töödeldavad detailid peavad olema kinnitatud kruustangide vahele, käega hoidmine keelatud.
- Asetage töödeldav detail risti töölausa olevate soontega. Töötlemissääkide eemaldamiseks kasutage harja, pintsli või käsna.
- Töötava seadme korral on puhastamine ning määrimine keelatud.
- Puuride padrunisse kinnitamine on lubatud ainult padrunivõtmega. Padrunivõtit ei tohi kunagi padrunisse jätta. Veenduge enne seadme käivitamist, et padrunivõti on eemaldatud.
- Keelatud on vigastatud tarvikute kasutamine.
- Puurpink ei ole mõeldud freesimistöõdeks. Seade koheselt välja lülitada, kui esineb:
- Häireid lülitis või vigastused toitekaablis
- Eristuv suits või sulamine seadmes või juhtmetes.

### Kohe lülitage masin, kui:

- Rikke toitepistik, voolujuhe elektrivõrgust või voolujuhe elektrivõrgust kahju.
- Rikkis lüliti.
- Suitsetamine või hais kõrbenud isolatsioon.

### Elektriohutus

Elektriliste seadmetega töötamisel järgige alati ettekirjutusi tuleohutuse, võimaliku elektrilöögi ja vigastuse osas. Lugege ohutusnõudeid allpool ja lisatud ohutusnõuetega.



*Kontrollige alati, et toide vastab pingele andmesildil.*



Voolukatkestuse korral lülitub seade automaatselt välja. Voolu taastumisel seade automaatselt ise ei käivitud, vaid tuleb uuesti sisse lülitada.

### Asendamine kaablid või pistikud

Visata vana kaablid või pistikud kohe, kui nad asendatakse uutega. Et pistikut lahtise kaabli seinakontakti, on väga ohtlik.

### Pikendusjuhtmete kasutamine

Kasutage ainult seadme võimsusele vastavat sertifitseeritud pikenduskaablit, mille soone ristlõige on minimaalselt 1,5 mm<sup>2</sup>. Trummilil asetsev pikenduskaabel tuleb täielikult lahti kerida.

## 3. MONTAAŽ

### Joonised B ja F

- Kinnitage komplektis olevate poltide (12) abil seadme sammu (11) alusplaadi (13) külge.
- Paigaldage ülevalt sambale tõmmates puurimisalus (10), kinnitage fiksaatori (6) abil soovitud kõrgusele.
- Nüüd saate monteerida masina korpuse (7), kinnitada olemasolevate kruvidega (8).
- Paigaldage padruni kaitsekatte hoidik võllile (21) ja kinnitage soonkruvi.
- Puhastage padrunis (9) olev kooniline ava ja võll puhta riidetükiga. Veenduge, et pindade külge ei ole kleepunud võõrkehased.
- Suruge padrun (9) mööda võlli (21) jõuliselt lõpuni üles.
- Paigaldage läbipaistev padruni kaitsekatte (3) padruni (9) kaitsekatte hoidiku külge ja kinnitage kinnituskruvid.
- Kuna puurivõll on tehases määritud, on soovitatav lasta masinal enne kasutamist umbes 15 minutit madalaimal kiirusel töötada.



*Enne padruni lükkamist puurivõlli otsa peavad padruni sisepind ja võlli välispind olema täiesti määrdevabad!*

### Puurpingi paigaldus

Enne seadme kasutuselevõttu tuleb ta kinnitada kindlalt tööpinna. Selleks on alusplaat (13) vastavad avasused. Masin tuleb kindlalt tööpinna külge kinni kruvida, et ta töötades ei loksuks. Vajaduse poltide ja mutritega.



Kinnituskrusid ei tohi üle pingutada, alusplaadile ei tohi tekkida muljumisi, mis võib viia purunemiseni.

### Spindli erinevate pöörlemiskiiruste seadmine Joonis C

- Spindli erinevaid kiruseid seadistatakse kiirrihma ümbertöstmisega. Selleks tuleb kõigepealt seade välja lülitada ning toitejuhe võrgust välja tõmmata. Kiirrihma ümbertöstmiseks avage korpuse kaas (14).
- Vabastage kinnituskrui (18) ja tõmmake mootorit ette spindli poole. Kiirrihm läheb lõdvaks. Asetage rihm ümber vastavalt soovile, kiirused näidatud allpool tabelis.
- Pärast soovitud asendi leidmist suruge mootor uuesti tahapoole ja fikseerige pingutuskrui (18).
- Nüüd tuleb sulgeda uuesti korpuse kaas ning toitejuhe seinaga torgata – seade on taas töötamiseks valmis.



Töötamisel peab korpuse kaas olema kindlalt suletud.

### Joonised C ja D

Pingutamine on tehtud õigesti, kui kiirrihma lõtk on umbes 1 cm. Rihmarattad peavad olema samal kõrgusel, et vältida kiirrihma kulumist või mahahüppamist. Seda saab reguleerida pöörates kruvi mootorivõlli ülemises otsas üles või allapoole.

### Võlli pöörlemiskiirused

#### Joonis E

Kiirrihma asend	Pööret/min
1	500
2	890
3	1400
4	1900
5	2500

Puurivõlli pöörete arvu V-rihma kombinatsioonide puhul saab vaadata jooniselt ja tabelist.

Test Rihmapinge enne seadme ühendamiseks vooluvõrgust lahti.

## 4. KASUTAMINE, JUHISED

### Sügavuspiiraja

#### Joonis A-1

Puurimisügavuse (2) regulaatoriks on spindilist vasakul asuval juhtsiinil paiknev mutter.

### Puuri kinnitamine

#### Joonis F

Padrunisse on võimalik kinnitada puure ja muid silindrilise sabaga tarvikuid. Puuri padrunis libisemise vältimiseks tuleb see hammastatud padrunivõtmeaga tugevalt kinni keerata.

### Töödeldava detaili kinnitamine

#### Joonis G

Puurimisalus on kruustangide kinnitamiseks varustatud sobilike soontega. Pingutage töödeldav detail alati kruustangide vahele. Sellega väldite õnnetusjuhtumeid ja saavutate täpsema puurimistulemuse.

### Puurimisaluse reguleerimine

Puurimisalus on kinnitatud samba külge. Kõrgust on võimalik fiksaatori (6) abil muuta. Töödeldava detaili ja puuriteraviku vahele peaks piisavalt ruumi jääma.

### Joonis I

Kaldus pindade ja nurga all olevate avade puurimiseks on puurimisalust (19) võimalik kallutada. Vabastage kinnituskrui (20), keerake puurimisalus soovitud nurga alla ning fikseerige kruvi uuesti tugevalt. Hiljem saate samal meetodil puurimisaluse uuesti horisontaalseks muuta, järgides plaadi tagaküljel olevat skaalat.

### Pöörete arv, pöörlemiskiirus, toide

Puuri etteannet reguleeritakse seadme paremal küljel asetseva kolmeharulise käepideme abil. Lõikamiskiirust määratakse kooskõlas spindli pöörlemise ja puuri läbimõõduga. Põhireegel: mida suurem puuri läbimõõt, seda väiksemaks peavad muutuma spindli pöörded. Mida tugevam on töödeldav materjal, seda suurem peab olema surve puurile. Et puur sealjuures üle ei kuumeneks, tuleb vähendada spindli pöörded. Samuti võiks jahutamiseks kasutada puurimisõli.

Õhukestesse plekkidesse suuremate aukude puurimisel peab etteanne väga väike olema, et



puur hakkima ei kipuks.

Sügavamate aukude (suuremad kui 2 puuri läbimõõtu) on puuri kuumenemisoht suurem. Ka sel juhul tuleb etteannet ning pöörlemiskiirust vähendada. Korduv puuri väljatõstmine aitab läbimisteed puhastada.

Üle 8mm avade puurimisel on soovitatav eelpuurimine väiksema läbimõõduga puuriga, et vältida suure puuri liigset ülekoormuse tõttu tekkivat kulumist.

## 5. HOOLDUS



*Jälgige, et seade poleks lülitatud vooluvõrku, kui tehakse hooldustöid masina mehhaaniliste osade juures.*

Käesolev seade on valmistatud eesmärgiga teenida kasutajat pikka aega ilma remondita. Piisab regulaarsest puhastamisest ja õigest kasutamisest.

### Puhastamine

Puhastage masina korpust regulaarselt (soovituslikult pärast iga ksutuskorda) pehme lapiga. Hoidke õhutusavad tolmu- ja mustusevabadena.

Võite lappi kergelt niisutada seebiveega. Ärge kasutage seadme puhastamiseks bensiini, ammoniaaki, alkoholi.

### Määrimine

Kök puurmasina laager on tehase poolt määritud. Aegajalt tuleb määrida hammasrattaid ja -latte, puurimisaluse tõstemehhanismi, spindli võlli määrimiseks avage ülemine kaas ja tilgutage võllile veidi õli, aga nii, et kiilrihm ei saaks õliseks.

### Defektid

Kui defekt ilmneb seetõttu osa masinast on hakanud saada kulunud, palun võtke teeninduskeskuse alates garantii kaardiga. Lõpus selle juhendi leiad detailijoonis üksused, mida saab osta.

## KESKKOND

Et vältida kahjustusi transpordil, on seade pakitud tugevasse ümbrisesse, mis koosneb enamjaolt taaskasutatavatest materjalidest ning mida saab lihtsalt ning õigesti utiliseerida.



*Utiliseerimist vajavaid seadmeid ei tohi visata olmeprügi hulka.*

### Euroopa Ühenduse riigid

Ärge visake elektritööriistu olmeprügi hulka.

Vastavalt Euroopa Parlamendi ja nõukogu direktiivile 2002/96/EÜ elektri- ja elektrooni-kaseadmete jäätmete kohta ning vastavalt seda direktiivi rakendavatele riiklikele õigusaktidele tuleb kasutuskõlbmatud elektritööriistad koguda teistest jäätmetest eraldi ning kõrvaldada kasutusest keskkonnasõbralikul viisil.

## GARANTII

Vastavalt Eesti Tarbijakaitse Ameti infole eksisteerib pretensiooni esitamise aeg, mi on eratarbijale 2 aastat ja juriidilisele isikule 1 aasta.

**Seadet ei vahetata välja ega remondita enne maaletooja poolt aktsepteeritud spetsialisti ülevaatust. Seadme ja kasutusjuhendi juures võib ette tulla muudatusi, tehnilisi andmeid võib ilma etteteatamata muuta.**

## STUPNA BUŠILICA TDM1026

### Zahvaljujemo Vam na kupovini ovog FERM proizvoda.

FERM je jedan od vodećih europskih proizvođača električnog alata. Svi proizvodi tvrtke FERM su proizvedeni prema najvišim radnim i sigurnosnim standardima. Sastavni dio naše misije je pružanje izvrsne podrške korisnicima uz naše opsežno jamstvo. Nadamo se da ćete uživati koristeći naš proizvod dulji niz godina.



*Pažljivo pročitajte naputke za uporabu prije uporabe uređaja. Dobro se upoznajete s načinom rada uređaja i načinom njegovog korištenja. Održavajte uređaj sukladno naputcima i provjerite funkcionira li uređaj ispravno. Čuvajte ovaj priručnik i ostalu priloženu dokumentaciju zajedno s uređajem.*

## 1. ZNAČAJKE UREĐAJA

### Tehnički detalji

Napon	230 V~
Frekvencija	50 Hz
Potrošnja struje (S2)	350 W
Praznoodhodna brzina vrtnje	500 - 2500/min
Broj stupnjeva	5
Stezna glava	do 13 mm
Morze konus	13 mm
Težina	14 kg
Lpa (zvučni pritisak)	71 dB(A) K=3
Lwa (zvučna snaga)	84 dB(A) K=3
Vibracija	1.57 m/s <sup>2</sup>

### Razina vibracija

Razina vibracije navedena u ovom naputku je izmjerena u skladu sa standardiziranim testom EN 60745; može se koristiti za usporedbu nekog uređaja s drugim uređajem te kao priprema procjena izloženosti vibracijama kada se uređaj koristi u navedene svrhe

- korištenje uređaja u druge svrhe ili s drugim, loše održanim, dodatcima može znatno povećati izloženost vibracijama
- u vrijeme kada je uređaj isključen ili ako je uključen, ali ne i aktivan znatno se može smanjiti razina izloženosti vibracijama

Zaštite se od utjecaja vibracija redovitim i pravilnim održavanjem stroja i njegovih dodataka, zaštite ruke i učinkovito organizirajte svoj rad.

### Dijelovi stroja

Brojevi u tekstu koji slijedi odnose se na crteže na stranicama 2 - 4

1. Prekidač za uključivanje/isključivanje
2. Graničnik dubine
3. Štitnik zatezne glave
4. Motor
5. Ručica dubine bušenja
6. Podešavanje stola
7. Prekidač za hitno zaustavljanje
8. Vijak za fiksiranje
9. Zatezna glava
10. Držač stola
11. Stup
12. Vijci
13. Papučica
14. Gornji poklopac klinastog remena
15. Donji poklopac klinastog remena
16. Pričvrsnica poklopca
17. Ploča motora
18. Fiksiranje napetosti remena
19. Stol
20. Šesterokutni vijak
21. Osovina
22. Ključ zatezne glave

Provjerite stroj, dijelove i dodatke, u slučaju da je došlo do oštećenja pri transportu.

## 2. NAPUTCI ZA SIGURAN RAD

### Objašnjenje oznaka



Označava opasnost od ozljeda, gubitka života ili oštećenja uređaja u slučaju nepridržavanja naputaka u ovom priručniku.



Označava opasnost od električnog udara.



Odmah isključite utikač iz strujne mreže u slučaju da se kabel ošteti i tijekom rada na održavanju mašine



*Udaljite promatrače.*



*Nosite zaštitu za uši i oči*

#### **Za vrijeme uporabe pazite na sljedeće:**

- ne odstranjujte mehaničke ili električne zaštitne dijelove
- provjerite jesu li svi zaštitni dijelovi na mjestu i dobro pričvršćeni
- nosite zaštitne naočale za vrijeme bušenja
- ako imate dugu kosu, obavezno nosite zaštitu (mrežu ili kapu), duga kosa se lako uhvati u pomične dijelove bušilice
- zakopčajte odjeću, dugmad na rukavima
- ne držite predmete u ruci dok ih bušite, obavezno ih stavite u stegu
- zaštitite predmete koje bušite i stezne alate na radnoj površini, učvrstite ih vijcima i stegama pričvršćenim za stol
- provjerite da je držač bušilice dobro učvršćen i bušilica dobro stegnuta u držaču
- za odstranjivanje strugotina i ostataka od bušenja koristite ručne četke, četke, gumene brisače ili slična pomagala
- ne čistite i ne podmazujte bušilicu dok je u pogonu
- provjerite jesu li vodilice za kablove u redu
- držite remenje pokrivenim da vam ne mogu zahvatiti ruke
- ključem zategnite nazubljeni kružni držač svrdla
- ne ostavljajte ključ za zatezanje svrdla u držaču svrdla, prije pokretanja bušilice provjerite jeste li izvadili ključ
- ne koristite oštećena svrdla
- bušilica nije pogodna za prešanje materijala
- ako je strujni kabel oštećen, zamijenite ga strujnim kabelom iste vrste

#### **Odmah isključite uređaj ako:**

- su utičnica, utikač ili kabel oštećeni
- je prekidač za uključivanje / isključivanje oštećen
- vidite dim ili osjetite miris paljenja izolacije

#### **Zaštita od električnog udara**

Pri korištenju električnih uređaja uvijek se pridržavajte sigurnosnih pravila koja vrijede u

vašoj zemlji kako biste smanjili opasnost od požara, udara električne struje i ozljeda. Pročitajte sljedeće naputke o sigurnosti kao i priložene naputke o sigurnosti rukovanja vašim uređajem.



*Obavezno provjerite odgovara li napon u strujnoj mreži naponu naznačenom na pločici uređaja / etiketi proizvoda.*



*Uređaj ima prekidač nultog napona. Nakon što se pritisak smanji uređaj neće automatski nastaviti rad iz sigurnosnih razloga. Uređaj je potrebno ponovo pokrenuti na prekidaču.*

#### **Zamjena kabela ili utikača**

Odmah bacite stare kabele ili utikače nakon što ih zamijenite novima. Opasno je koristiti neispravan kabel ili spajati žice bez izolacije u utikač.

#### **Korištenje produžnih kabela**

Koristite samo odobreni produžni kabel primjeren snazi ovog uređaja. Minimalni promjer vodiča je 1.5 mm<sup>2</sup>. Kada koristite namotani kabel, uvijek ga u potpunosti odmotajte.

## **3. SASTAVLJANJE**

#### **Slika B, F**

- stavite podložnu ploču (13) u odgovarajući položaj
- učvrstite stup (11) za podložnu ploču priloženim vijcima (12)
- navucite držač radnog stola (10) s radnim stolom preko stupa (11). Stol se učvršćuje polugom (6)
- sada možete sastaviti kućište bušilice (7) te ga učvrstiti priloženim učvršćivačima (8)
- postavite držač štitnika zatezne glave na osovinu (21) i pritegnite vijak.
- očistite konusni otvor u zateznoj glavi (9) i osovini čistom tkaninom. Pazite da se na površine ne prilijepe nečistoće.
- snažno pritisnite zateznu glavu (9) na osovinu (21) do kraja.
- namjestite štitnik zatezne glave (3) na držač zatezne glave (9) i učvrstite vijke.
- budući da je osovina tvornički podmazana, prije upotrebe pustite stroj da radi 15 minuta na najmanjoj brzini.



*Prije nego što pritisnete zateznu glavu na osovina bušilice, unutrašnjost zatezne glave i vanjski dio osovine moraju biti potpuno odmašćeni!*

### Postavljanje stolne bušilice

Prije korištenja bušilica mora biti učvršćena na nepomičnu podlogu. Podložna ploča je zbog toga prilagođena (probušene rupe) pa vijcima možete učvrstiti podložnu ploču za podlogu. Ako bušilicu stavljajte na drvenu podlogu, ona mora biti učvršćena dovoljno velikim brtvenim prstenima sa suprotne strane kako bi se osigurala stabilnost bušilice.



*Vijci za učvršćivanje se zatežu onoliko koliko dozvoljava podložna ploča. Podložna ploča ne smije biti pod pritiskom ili deformirana zbog previše zategnutih vijaka. Ako je pritisak prevelik, postoji opasnost od pucaња.*

### Podešavanje broja okretaja osovine

#### Slika C

Broj okretaja osovine se podešava pomicanjem V remena na pogonskim koloturonicima. Bušilica je zaštićena sigurnosnim prekidačem tako da se automatski isključuje ako se kućište otvara. Remen se podešava na slijedeći način:

- otvorite pokrov V remena (14) tako da olabavite vijak s desne strane
- olabavite držač (18) i pomaknite bušilicu u pravcu glave bušilice nakon čega će se V remen otpustiti
- podesite V remen prema tablici na unutrašnjosti pokrova remena
- zategnite V remen ponovo gurajući ploču motora (17) prema natrag. Uređaj za zatezanje se pričvrsti držačem (18)
- zatvorite pokrov V remena i bušilica je spremna za uporabu
- pokrov v remena neka bude zatvoren za vrijeme uporabe bušilice

#### Slika C i D

V remen je doro zategnut ako ga možete utisnuti otprilike 1 cm. Koloturник motora mora biti poravnat horizontalno, tako da se remen zaštiti od brzog trošenja i popuštanja. Koloturник se može pomicati po osovini motora nakon što se olabavi vijak na glavi.

### Brzine osovine /vretena

#### Slika E

Položaj V remena	Broj okretaja /min
1	500
2	890
3	1400
4	1900
5	2500

Broj okretaja i položaja remena možete vidjeti na ilustraciji i u tablici.

Provjerite napetost remena prije nego bušilicu uključite u struju.

## 4. RAD BUŠILICE, SAVJETI I UPUTE

### Graničnik dubine

#### Slika A-1

Vreteno / osovina ima graničnik dubine (2) koji se može podešavati uz pomoć matice. Podatke o dubini bušenja možete pročitati na skali.

### Stezanje svrdla

#### Slika F

Glava stupne bušilice omogućuje stezanje svrdla i drugih alata cilindričnog oblika. Moment vrtnje se na svrdlo prenosi pomoću napetosti triju steznih hvataljki. Kako biste spriječili isklizavanje svrdla morate ga učvrstiti pomoću nazubljenog kružnog ključa. Ako svrdlo sklizne iz držača, na vrhu svrdla se pojavi mali hrapavi rub, koji onemogućuje centrično stezanje. Ovaj hrapavi rub se svakako treba ukloniti brušenjem.

### Stezanje obradka (predmeta bušenja)

#### Slika G

Podložna ploča i radni stol imaju utore za pričvršćivanje stezača. Uvijek stegnite obradak na kojem radite u stegu uređaja ili drugim steznim alatima. Na ovaj ćete način spriječiti nezgode i povećati točnost pri bušenju jer je obradak u nepomičnom položaju

### Podešavanje radnog stola

Radni stol je učvršćen za stup bušilice i njegova se visina može podešavati pomoću ručice za podešavanje (6). Podesite ga tako da ima dovoljno prostora između vrha obradka (predmeta kojega obrađujete) i vrha svrdla. Radni stol

možete i rotirati na stranu ako želite obradak učvrstiti direktno na podložnu ploču.

### Slika 1

Za bušenje pod kutom radni stol se može zakrenuti. Da biste to učinili otpustite šesterokutni vijak (20) na zglobu / šarniru i odstranite oslonac. Zakrenite radni stol (19) u željeni položaj. Ponovno zategnite šesterokutni vijak koristeći odgovarajući alat za to.

### Broj okretaja, brzina vrtnje, okretni moment (sila posmaka)

Okretni moment (sila posmaka) se određuje ručno na trostupnoj poluzi. Brzina vrtnje se određuje brojem okretaja osovine i promjerom svrdla. Odgovarajući izbor posmaka i broja okretaja vretena su od iznimne važnosti za trajnost bušilice. Osnovno pravilo jest da se broj okretaja treba smanjiti što je veći promjer svrdla; što je čvršći obradak (predmet obrađivanja) to veći mora biti pritisak bušenja.

Kako se svrdlo ne bi pregrijalo, okretni moment i brzina okretaja se moraju smanjivati u isto vrijeme. Pri tome se svrdlo mora hladiti uljem za hlađenje. Kad bušite tanke ploče, morate bušiti pažljivo s malim okretnim momentom i malim pritiskom kako biste dobili što precizniji rezultat i kako bi rupa ostala odgovarajuće veličine. Pri dubokom bušenju (više od 2X promjer svrdla) odstranjivanje strugotina je mnogo teže i temperatura svrdla je mnogo veća. Zbog toga smanjite okretni moment i broj okretaja te bušite postepeno, izvlačeći svrdlo kako bi se strugotine lakše mogle odstraniti. Ako bušite s promjerom većim od 8 mm, potrebno je prije bušenja zabušiti rupu čime ćete spriječiti brzo trošenje svrdla i preveliko opterećivanje materijala.

## 5. ODRŽAVANJE



*Kada izvodite radnje održavanja bušilice uvjerite se da ona nije u pogonu i da je isključena iz struje.*

Ovaj uređaj je predviđen za rad tijekom duljeg vremenskog razdoblja uz minimalno održavanje. Zadovoljavajući učinak uređaja ovisi o pravilnoj njezi i redovitom čišćenju uređaja.

### Čišćenje

Ventilacijske otvore održavajte čistima da biste spriječili pregrijavanje bušilice. Redovito čistite bušilicu mekom tkaninom, najbolje nakon svake uporabe. Redovito čistite ventilacijske otvore od prašine i prljavštine. Otpornija onečišćenja odstranite mekom tkaninom, namočenom u laganu sapunicu. Ne koristite otapala poput benzina, alkohola, amonijaka itd. koji mogu oštetiti plastične dijelove bušilice. Očistite alat odmah nakon uporabe.

### Podmazivanje

Svaki ležaj unutar bušilice je tvornički podmazan i nije potrebno dodatno podmazivanje. S vremena na vrijeme možete podmazati zupčanike i letna pera, mehanizam za podizanje radnog stola, osovinu i zaobljene dijelove. Otvorite pokrov pogonskog remena i pošpricajte malo ulja po vreteništu. Pazite da ulje ne dospije na pogonski remen.

### Kvarovi

Ako se pojave kvarovi, npr. nakon dugog korištenja i trošenja, molimo Vas, obratite se ovlaštenom serviseru čiju adresu ćete naći na jamstvenom listu. Na kraju ovoga uputstva naći ćete sliku s dijelovima koji se mogu zamijeniti.

## ZAŠTITA OKOLIŠA

Radi zaštite okoliša ovaj uređaj se isporučuje u čvrstom pakiranju koje je izrađeno od recikliranog materijala. Molimo vas da iskoristite neku od mogućnosti recikliranja ambalaže.



*Oštećeni i neispravni električni uređaji se moraju odlagati na za to predviđenim mjestima gdje će ih se odgovarajuće zbrinuti.*

### Samo za zemlje Europske unije.

Alate nemojte odlagati u kućanski otpad. Prema europskim smjernicama 2012/19/EU za otpadnu električnu i elektroničku opremu i njihovoj primjeni i državnom zakonodavstvu, radni alati koji se više ne koriste moraju se odvojeno sakupiti i odložiti na ekološki prihvatljiv način.

## JAMSTVO

Uvjeti pod kojima jamčimo za proizvod nalaze se na posebno priloženom jamstvenom listu.

**Proizvod i upute za uporabu su podložni promjenama. Opisane značajke proizvoda mogu se mijenjati bez prethodne najave.**

## STONA STUBNA BUŠILICA TDM1026

### Zahvaljujemo na kupovini ovog FERM proizvoda.

Time imate odličan proizvod, isporučen od jednog od vodećih dobavljača u Evropi. Svi proizvodi dostavljeni od strane FERM-a proizvedeni su prema najvišim standardima performansi i bezbednosti. Kao deo naše filozofije obezbeđujemo odličnu uslugu klijentima, uz vrhunsku sveobuhvatnu garanciju. Nadamo se da ćete sa užtkom da koristite ovaj proizvod mnogo narednih godina.



*Pažljivo pročitajte uputstva za rad, pre korišćenja uređaja. Upoznajte se sa funkcijama i osnovnim operacijama. Servisirajte uređaj prema instrukcijama, da bi se osigurali da će uvek pravilno da funkcioniše. Uputstva za rukovanje i pridružnu dokumentaciju čuvajte u blizini uređaja.*

## 1. INFORMACIJE O MAŠINI

### Tehničke karakteristike

Napon	230 V~
Frekvencija	50 Hz
Snaga (S2)	350 W
Brzina bez opterećenja	500 - 2500/min
Broj brzina	5
Kapacitet stezne čaure	13 mm
Težina	14 kg
Lpa (Nivo zvučnog pritiska)	71 dB(A) K=3
Lwa (Nivo zvučne snage)	84 dB(A) K=3
Vibracije	<2.5 m/s <sup>2</sup>

### Nivo vibracija

Nivo emisije vibracija, navedeno u uputstvu, izmereno je u saglasnosti sa standardizovanim testom, datim u EN 61029; on može da se koristi za poređenje jednog alata sa drugim, kao i za preliminarnu procenu izloženosti na vibracije, kada se alat koristi u raznim aplikacijama.

- korišćenje alata u raznim aplikacijama ili sa raznim ili slabo održavanim priborom, može značajno da poveća nivo izloženosti
- Vreme kada je alat isključen ili kada radi ali ne obavlja posao, može značajno da smanji nivo izloženosti

Zaštitite se od efekata vibracija održavanjem alata i pribora, ruke da su vam tople i organizujte radne navike.



Nosite zaštitu za oči i uši.

### Informacija o proizvodu

Brojevi u tekstu se odnose na dijagrame na str. 2-4.

1. Prekidač za uključivanje/isključivanje
2. Limiter dubine
3. Štitnik stezne glave
4. Motor
5. Ručica za dubinu bušenja
6. Podešavanje stola
7. Prekidač za zaustavljanje u nuždi
8. Vijak za fiksiranje
9. Stezna glava
10. Držač stola
11. Stub
12. Zavrtnji
13. Nožna ploča
14. Gornji poklopac kaiša
15. Donji poklopac kaiša
16. Brava poklopca
17. Ploča motora
18. Blokada za zatezanje kaiša
19. Sto
20. Šestougaoni vijak
21. Vreteno
22. Ključ za steznu glavu

Proverite da nije oštećena isporuka prilikom prevoza i/ili dali su na broju svi delovi.

## 2. BEZBEDNOSNA UPUTSTVA

### Objašnjenje simbola

Sledeći simboli koriste se u ovom uputstvu:



Označava rizik od povreda, gubitak života ili oštećenje alata u slučaju nepoštovanja uputstva.



Ukazuje na prisustvo električnog napona.



Odmah izvucite kabl iz struje u slučaju da se ošteti ili za vreme održavanja.



Držite posmatrače što dalje.

### Za vreme korišćenja morate da razgledate sledeće tačke:

- Ne uklanjajte mehaničke ili električne zaštite.
- Proverite da li su na mestu svi zaštitni uređaji i da li su pravilno postavljeni.
- Nosite zaštitne naočare za vreme bušenja.
- Ako imate dugačku kosu, nosite zaštitu za kosu (lastiž ili kapu). Dugačka kosa može lako da bude uhvaćena od pokretnih delova.
- Nosite odeću uz telo, sa dugmadima na rukavima.
- Ne držite radne komade u rukama dok bušite. Uvek koristite mašinsku stegu ili neki drugi stezni alat.
- Osigurajte radni komad i stezni alat na stolu, kako se ne bi pomerali. Pričvrstite ih vijcima ili pritegnite ih mašinskom stegom, koja je vijcima fiksirana za sto.
- Proverite da li je pravilno pritegnut držač za burgije.
- Proverite ispravnost i položaj kabla.
- Da biste uklonili strugotinu od bušenja, koristite ručne četke, gumene brisače, kuke ili slična pomagala.
- Ne nosite, ne čistite ili ne podmazujte mašinu dok radi.
- Klinasti kaiši uvek da budu pokriveni (tako da vam ne budu ruke uhvaćene).
- Samo pritegnite nazubljeni prsten držača burgije, uz pomoć ključa.
- Nikada ne ostavljajte ključ držača burgije u držač! Pre uključivanja mašine, proverite da li je ključ uklonjen!
- Nemojte koristiti burgije sa oštećenom drškom.
- Burgije nisu pogodne za korišćenje za presovanje!
- Ako je oštećen glavni kabl, on mora da se zameni samo sa kablom istog tipa.

### Odmah isključite mašinu ako:

- Ima prekid na glavnoj priključnici, glavnom kablju ili je oštećen kabl.
- Je pokvaren prekidač.
- Ima dima ili smrdi izgorena izolacija.

### Električna bezbednost

Kada koristite električne mašine poštujujte bezbednosna pravila u vašoj zemlji, da bi

smanjili rizik od požara, strujnog udara i povreda. Pročitajte sledeća bezbednosna uputstva i priložena bezbednosna uputstva.



*Uvek proveravajte da li napon u mreži odgovara naponu na pločici.*



*Mašina je opremljena sa nula naponskim prekidačem. Posle pada napona, mašina se ne startuje automatski, iz bezbednosnih razloga. Mašina treba ponovo da se uključi.*

### Zamena kablova ili priključnica

Odmah bacite stare kablove ili priključnice, kada ih zamenite sa novim. Opasno je da uključite priključnicu ako je kabl labav.

### Korišćenje produžnih kablova

Koristite samo odobrene produžne kablove, pogodne za ulaznu snagu mašine. Najmanji poprečni presek je 1,5 mm<sup>2</sup>. Kada koristite kabl u rolni, uvek ga odmotajte do kraja.

## 3. MONTAŽA

### Sl. B, F

- Postavite osnovnu ploču (13) u pravilan položaj.
- Pričvrstite stub (11) sa vijcima (12), na osnovnu ploču.
- Povucite nosač stola (10), sa stolom preko stuba (11). Sa ručicom za pritezanje (6) pritegnite sto u potreban položaj.
- Sada možete da montirate kućište mašine (7) i da ga završite čivijama (8).
- Namestite držač štitnika stezne glave na vreteno (21) i zategnite vijak.
- Očistite konusni otvor u steznoj glavi (9) i vreteno sa čistom tkaninom. Uverite se da nema stranih čestica spleljenih na površinama.
- Gurnite snažno steznu glavu(9) naviše na vreteno(21) do kraja.
- Namestite očišćen štitnik stezne glave (3) na držač štitnika stezne glave (9) i zategnite vijci za fiksiranje.
- Pošto je vreteno bušilice podmazano fabrički, savetujemo da pustite mašinu da radi 15 minuta pri najnižoj brzini pre upotrebe.



*Pre nego što gurnete steznu glavu na vreteno bušilice, unutrašnjost stezne glave i spoljašnost vretena moraju da budu očišćeni od masti!*

### Postavljanje stubne bušilice

Pre korišćenja, bušilica treba da se fiksira na radnoj površini. Zbog toga, osnovna ploča (13) ima otvore. Uz pomoć vijaka, osnovna ploča može da se fiksira na radnoj površini. Ako je postavljena na drvenu tablu, sa druge strane da se upotrebe dovoljno velike podloške, da ne bi vijci ušli u drvo, čime bi se mašina olabavila.



*Tvijci se pritežu toliko, da se ne deformiše osnovna ploča. Ako je pritezanje previše veliko, postoji rizik od oštećenja.*

### Podešavanje broja obrtaja vretena

#### Sl. C

Može da se podesi različan broj obrtaja, prebacivanjem klinastog kaiša na pogonskom remeniku.

Mašina je opremljena sigurnosnim prekidačem, koji automatski isključuje, kada se kućište otvori. Klinasti kaiš se prebacuje na sledeći način:

- Otvorite poklopac kaiša (14), odstezanjem vijka sa desne strane poklopca.
- Olabavite ručku (18) i povucite motor u pravcu glave mašine, čime se rasterećuje kaiš.
- Prebacujte kaiš prema tablici sa unutrašnje strane poklopca.
- Zategnite kaiš povlačenjem ploče motora (17). Zatim pritegnite zatezni uređaj uz pomoć ručke (18).
- Zatvorite poklopac kaiša i mašina je spremna za posao.



*Poklopac kaiša mora da je zatvoren za vreme rada.*

#### Sl. C i D

Ako ste prebacili kaiš, morate ponovo da pritegnete ploču na motoru (17) i ručku (18). Zatezanje je pravilno kada možete kaiš da pritisnete za oko 1 cm.

Remenik motora mora da bude horizontalan, da bi se sprečilo habanje i odstezanje klinastog kaiša.



Za ovu namenu, remenik (15) može da klizi po vretenu motora, posle odstezanja imbus vijka.

#### **Brzina vretena**

##### **Sl. E**

Pozicija klinasti kaiš	Obrtaji/min
1	500
2	890
3	1400
4	1900
5	2500

Broj obrtaja vretena, sa kombinacijama klinastog kaiša, može da se pročita iz tabele.

Testirajte zategnutost kaiša pre nego što povežete mašinu sa strujom.

## **4. RUKOVANJE, SAVETI I PREPORUKE**

### **Graničnik dubine**

#### **Sl. A-1**

Vreteno je opremljeno sa graničnikom dubine (2). On se podešava uz pomoć navrtke. Dubina bušenja se očitava na podelbenoj skali.

### **Pritezanje burgije**

#### **Sl. F**

U glavi bušilice mogu da se pritegnu burgije ili drugi alati sa cilindričnom drškom. Obrtni moment se prenosi na burgiju, preko triju steznih čeljusti. Da se spreči proklizavanje burgije, ona se mora pritegnuti nazubljenim ključem. Ako burgija provrti u futer, na steznim površinama pojavice se strugotina, koja će da onemogući centralnoto pritezanje. Nastala strugotina mora da se ukloni brušenjem.

### **Pritezanje radnog komada**

#### **Sl. G**

Sto i osnovna poloča bušilice imaju žljebove za pričvršćenje steznog alata. Radni komad uvek pritežite stegom ili sa drugim steznim alatom. Na ovaj način sprečićete nesreće i povećaćete tačnost bušenja, jer je komad u pritegnutom položaju.

### **Podešavanje stola**

Sto je pritegnut na stubu bušilice i može da se podešava po visini, otpuštanjem stezne ručke (6). Podesite sto tako da ima dovoljno prostora

između radnog komada i vrha burgije. Takođe možete sto da okrenete u stranu, ako želite komad da pritegenet na osnovi bušilice.

#### **Sl. I**

Za koso bušenje i kod koso naslonjenih radnih komada, sto se može nakloniti. Za tu namenu, otpustite vijak (20) na šarki stola i odsteignite centriranje. Okrenite sto (19) u željeni položaj. Zatim pritežite vijak (20) uz pomoć ključa.

### **Broj obrtaja, rezna brzina, pomak**

Pomak – uzdužno kretanje burgije- održava se ručno, uz pomoć ručke sa 3 kraka. Rezna brzina je određena brojem obrtaja vretena i prečnikom burgije. Pravilan izbor pomaka i broj obrtaja burgije su odlučujući faktori za trajnost burgije. Sledeće je kao osnovno pravilo: sa većim prečnikom burgije, broj obrtaja treba da bude manji; ako je radni komad tvrdi, potreban je veći radni pritisak.

Da se burgija ne bi pregrejala, u ovakvom slučaju, u isto vreme moraju da se smanje pomak i rezna brzina. Pored toga, burgija mora da se hladi sa emulzijom. Kod tankih ploča, duboko bušenje treba da se izvodi pažljivo, sa malim pomacima i malim pritiskom, da bi se dobili precizni rezultati i bušenje da ostane sa tačnom veličinom.

Za duboko bušenje (dublje od 2xd) odvođenje strugotine je otežano, a temperatura burgije je visoka. Zbog toga smanjite pomak i broj obrtaja i obezbedite bolje odvođenje strugotine, redovnim vađenjem burgije. Za bušenje prečnika većih od 8 mm, treba napraviti prethodno bušenje, da bi se izbeglo prevremeno trošenje vrha burgije, zbog velikog pritiska.

## **5. ODRŽAVANJE**



*Uverite se da je mašina isključena kada održavate motor.*

Ova mašina je konstruisana da radi dugačak period, sa minimalnim održavanjem. Neprekidan, uspešan rad zavisi od nege mašine i od redovnog čišćenja.

### **Čišćenje**

Otvori za ventilaciju da budu uvek čisti, da bi se sprečilo pregrevanje motora. Redovno čistite kućište, sa mekom krpom, po mogućnosti posle

svakog korišćenja. Čuvajte otvore za ventilaciju čiste, bez prašine. Ako se prljavština ne skida, upotrebite meku krpu navlažnjenu vodom i sapunicom. Nikada ne koristite rastvarače, kao što su benzin, alkohol, amonijčna voda itd. Ovi rastvarači mogu da oštete plastične delove. Očistite alat odmah nakon korišćenja.

### Podmazivanje

Svako ležište mašine je fabrički podmazano. Nije potrebno dodatno podmazivanje. S vremena na vreme, treba da se podmaže zupčanik i nazubljena letva, mehanizam za podizanje stola, vreteno i nazubljeno šupljivo vrateno. Otvorite poklopac kaiša i sipajte malo ulja na vratilo. Ulje ne sme da se nanese na kaiš!

### Otkazi

Ako se desi otkaz, npr. zbog trošenja dela, obratite se na adresu servisa iz garantne kartice. Na pozadini uputstva, naći ćete ekspozicioni pregled sa delovima, koje možete naraučiti.

## ŽIVOTNA SREDINA

Da se spreči oštećenje za vreme transporta, uređaj se isporučuje u tvrdom pakovanju, koje se sastoji od materijala za jednokratnu upotrebu. Zato vas molimo da koristite opcije za recikliranje ambalaže.



*Oštećeni i/ili iskorišćeni električni i elektronski uređaji moraju da se deponuju u stanici za recikliranje.*

### Samo za ze3mlje iz EU

Ne deponujte alate sa kućnim otpadom. Prema Evropskom Uputstvu 2012/19/EU o otpadnoj električnoj i elektronskoj opremi i njegovoj implementaciji u nacionalnom pravu, električne alate koji su izvan upotrebe, treba sakupljati odvojeno i uklanjati ih na ekološki način.

## GARANCIJA

Pročitajte garantne uslove u priloženoj garantnoj kartici.

### Proizvod i uputstva su predmet izmene.

**Karakteristike se mogu menjati bez predhodnog obaveštenja.**

## СТОЛБНА ДУПЧАЛКА TDM1026

### Благодариме за купувањето на овој FERM производ.

Со тоа имате одличен производ, испорачан од еден од водечките добавувачи во Европа. Сите производи доставени од страна на FERM се произведени според највисоките стандарди на перформанси и безбедност. Како дел од нашата филозофија е обезбедување на одличен сервис за клиентите, со поддршка со нашите сеопфатни гаранции. Се надеваме дека ќе уживате користејќи го овој производ многу наредни години.



*Внимателно прочитајте ги упатствата за работа пред да го користите уредот. Запознајте се со функциите и основните операции. Сервисирајте го уредот според инструкциите, за да се осигурате дека секогаш правилно ќе функционира. Упатствата за ракување и придружната документација треба да се чуваат во близина на уредот.*

## 1. ИНФОРМАЦИЈА ЗА МАШИНАТА

### Технички податоци

Напон	230 V~
Фреквенција	50 Hz
Влезна моќност (S2)	350 W
Брзина без оптеретување	500 - 2500/min
Број на брзини	5
Капацитет на стегање	13 mm
Тежина	14 kg
Lpa (Ниво на звучен притисок)	71 dB(A) K=3
Lwa (Ниво на звучна моќност)	84 dB(A) K=3
Вибрации	< 2.5 m/s <sup>2</sup>

### Ниво на вибрации

Нивото на емисијата на вибрациите, наведено во упатството, е измерено во согласност со стандардизиран тест даден во EN 61029; тој може да се користи за споредување на еден алат со друг како и за прелиминарна процена на изложеност на вибрации при користење на алатот во споменатите апликации

- користењето на алатот за различни апликации или со различни или слабо одржуван прибор, може значително да го зголеми нивото на изложеност
- времето кога алатот е исклучен или кога работи но не ја врши работата, може значително да го намали нивото на изложеност.

Заштитете се од ефектите на вибрациите со одржување на алатот и приборот, рацете да ви бидат топли и организирајте ги работните навики.

### Опис

Броевите во текстот се однесуваат на дијаграмите на стр. 2-4.

1. Прекинувач за вклучување/исклучување
2. Граничник за длабочина
3. Штитник на футерот
4. Мотор
5. Длабочинска рачка на дупчалката
6. Подесување на масата
7. Прекинувач за исклучување во итни случаи
8. Шраф за фиксирање
9. Футер
10. Држач на масата
11. Столб
12. Навртки
13. Плочана педалата
14. Горен капак на V-каишот
15. Долен капак на V-каишот
16. Брава на капакот
17. Моторна плоча
18. Брава за затегнатоста на каишот
19. Маса
20. Шестоаголна завртка
21. Вретено
22. Клуч на футерот

Проверете да не е оштетена испораката при превоз и/или дали се на број сите делови.

## 2. БЕЗБЕДНОСНИ УПАТСТВА

### Објаснување на симболите

Следните симболи се користат во ова упатство:



*Означува ризик од повреда, губење на живот или оштетување на алатот во случај на непочитување на упатствата.*



*Укажува на присуство на електричен напон.*



*Веднаш извлечете го кабелот од струја во случај да се оштил или за време на одржување.*



*Присутните лица да стојат подалеку.*



*Носете заштита за очите и за слухот.*

### За време на користење мора да ги разгледате следниве точки:

- Не ги отстранувајте механичките или електричните заштити.
- Проверете дали се на место сите заштитни уреди и дали се правилно поставени.
- Носете заштитни очила за време на дупчење.
- Ако имате долга коса, носете заштита за косата (ластик или капа). Долгата коса може да биде фатена во подвижните делови.
- Носете неразвезана облека; закопчајте ги копчињата на ракавите.
- Не држете делови со рака кога дупчите. Секогаш користете машинска стега или друг вид на стезен алат.
- Осигурајте ги деловите и стезните алати на масата од искосување. Прицврстете ги со завртки или стегнете ги со машинска стега која е прицврстена врз масата.
- Проверете дали е правилно стегнат футерот за дупчење.
- Проверете дали е во ред кабелот.
- За отстранување на струшка користите четки, гумени бришачи, куки или слични помагала.
- Не ја чистете или подмачкувајте машината додека работи.

- Капакот на клинестниот ремен секогаш да е затворен (да не ви бидат фатени рацете).
- Назабениот футер стегајте го исклучиво со клуч.
- Не го оставајте клучот во футерот! Пред вклучување на машината, проверете дали е отстранет клучот!
- Не користете бургии со оштетено стебло.
- Дупчалката не се користи како преса!
- Ако е оштетен кабелот, да се замени со кабел од ист тип.

#### Веднаш исклучете ја машината при:

- Прекин на главна приклучница, главен кабел или оштетен кабел.
- Расипан прекинувачот.
- Чад или смрдеа на изгорена изолација.

#### Електрична безбедност

При користење на електрични машини почитувајте ги безбедносните правила во вашата земја, за да го намалите ризикот од пожар, струен удар и повреди. Прочитајте ги следните безбедносни упатства и приложените безбедносни упатства.



*Секогаш проверувајте дали напонот на напојувањето одговара на наведениот напон на плочката.*



*Машината е опремена со нула напонски прекинувач. По пад на напон, машината нема автоматски да се стартува, од безбедносни причини. Машината треба повторно да се вклучи.*

#### Замена на кабли или приклучници

Веднаш да ги фрлите старите кабли или приклучници, кога ќе ги замените со нови. Опасно е да ја вклучите приклучницата ако кабелот е лабав.

#### Користете продолжни кабли

Користете само одобрени продолжни кабли погодни за влезната моќност на машината. Најмал попречен пресек е 1,5 mm<sup>2</sup>. Кога се користи кабел во ролна, секогаш целосно да го одмотате.

## 3. МОНТАЖА

#### Сл. В и F

- Поставете ја основната плоча (13) во правилна положба.
- Прицврстете го столбот (11) со завртките (12), врз основната плоча.
- Повлечете го носачот на масата (10), со масата притиснете столбот (11). Со рачката за стегање (6) стегнете ја масата во сакана положба.
- Сега можете да го монтирате куќиштето на машината и да го забравите со чивите (8).
- Наместете го држачот на штитникот на футерот на вретеното (21) и затегнете ја засечената завртка.
- Чистете ја конусна дупка во футерот (9) и вретеното со чисто парче ткаенина. Бидете сигурни дека нема страни честички да се лепат на површините.
- Силно притиснете на футерот (9) нагоре по вретеното (21), колку што ќе оди.
- Наместете го чистиот штитник на футерот (3) во држачот (9) на штитникот на футерот и затегнете ги завртките за прицврстување.
- Бидејќи вретеното на дупчалката е подмачкано во фабриката, препорачливо е да се остави машината да работи околу 15 минути со најниска брзина пред употреба.



*Пред да го притиснете футерот на вретеното на дупчалката, внатрешноста на футерот и надворешноста на вретеното мора да бидат целосно без масноти!*

#### Поставување на столбната дупчалка

Пред користење, дупчалката треба да се фиксира врз работна површина. Од таа причина основната плоча (13) има отвори. Со помош на завртки, основната плоча може да се фиксира врз работна површина. Ако е поставена врз дрвена табла, од другата страна да се употребат доволно големи подлошки, завртките да не навлезат во дрвото и машината да се олабави.



*Завртките да се стегаат толку, да не се деформира основната плоча. Ако стегањето е премногу големо, постои ризик од оштетување.*

## Дотерување на бројот на вртежите на вретеното

### Сл. С

Може да се избере различен број ја вртежи со префрлање на клинестниот ремен на погонските ременици. Машината е опремена со сигурносен прекинувач, кој автоматски ја исклучува, кога ќе се отвори куќиштето. Клинестниот ремен се префрла на следниот начин:

- Отворете го капакот на ременот (14), со отстаегање на завртката од десната страна на капакот.
- Остегнете ја рачката (18) и повлечете го моторот во насоката на главата на машината, со што ременот се отпушта.
- Преместувајте го ременот според таблицата од внатрешната страна на капакот.
- Стегнете го ременот со влечење на плочата на моторот (17) назад. Потоа стегнете го затезниот уред со рачката (18).
- Затворете го капакот на ременот и машината е подготвена за работа.

## Капакот на ременот мора да е затворен за време на работа.

### Сл. С и Д

Ако сте го префрлиле ременот, морате повторно да го стегне со плочата на моторот (17) и рачката (18). Затигањето е правилно кога ременот можете да го притиснете околу 1 cm. Ременицата на моторот мора да биде хоризонтална, за да се спречи абење и отстаегање на клинестниот ремен. За оваа намена, ременицата (15) може да се лизга по вретеното на моторот, по отстаегањето имбус завртката.

## Брзини на вретеното

### Сл. Е

Положба на клинест ремен	Вртежи/min
1	500
2	890
3	1400
4	1900
5	2500

Бројот на вртежите на вретено, со комбинациите на клинестниот ремен, може да се прочитаат од табелата.

Тестирајте ја затегнатоста на ременот пред да ја поврзете машината со струја.

## 4. РАКУВАЊЕ, СОВЕТИ И ПРЕПОРАКИ

### Граничник за длабина

#### Сл. А-1

Вретеното е опремено со граничник за длабина (2). Тој се дотерува со помош на навртка. Длабината се отчитува на поделбите на скалата.

### Стегање на бургија

#### Сл. F

Во главата на дупчалката можат да се стегнат бургии или други алати со цилиндрична дршка. Вртежниот момент се пренесува на бургијата преку трите стезни пакнови. За да се спречи пролизгување на бургијата, таа мора да се стегне со назабениот клуч. Ако бургијат проврти во футерот, на стезните површини ќе се појави мала струшка, која ќе оневозможи централното стегање. Настанатата струшка мора да се отстрани со брусење.

### Стегање на работно парче

#### Fig. G

Масата и основната положба на дупчалката имаат жлебови за прицврстување на стезни алати. Работното парче секогаш да го стегате во стега или други стезни алати. На овој начин ќе спречите несреќи и ќе ја зголемите точноста на дупчењето, бидејќи работното парче е во стегната положба.

### Прилагодување на масата

Масата е стегната на столбот на дупчалката и може да се прилагодува по висина, со отстаегање на стезната рачка (6). Прилагодете ја масата така да има доволно простор помеѓу работното парче и врвот на бургијата. Исто така масата можете да ја свртите на страна, ако сакате парчето да го стегнете на основата.

### Сл. I

За коси дупчења и кај коси потпори на работното парче, масата може да се наведнува. За таа цел отстагнете ја завртката (20) на шарката на масата и отстранете го центрирањето. Завртете ја масата (19) во сакана положба. Потоа стегнете ја завртката (20) со помош на клуч.

**Број на вртежи, брзина на ротација, помест**  
Поместот – надолжно поместување на бургијата - се одржува рачно, со рачката со 3 краци.

Брзината на ротација е определена со бројот на вртежите на вретеното и со пречникот на бургијата. Правилниот избор на поместот и бројот на вртежите на бургијата се одлучувачки фактори за трајноста на бургијата. Следното е како основно правило: со поголем пречник на бургијата, бројот на вртежите треба да е помал; ако работното парче е потврдо, потребен е поголем работен притисок.

За да не се прегрее бургијата, во ваков случај, поместот и брзината на ротација во исто време мораат да се намалат. Покрај тоа, бургијата мора да се лади со емулзија. Кај тенки плочи, длабоки дупчења, дупчењето треба да се изведува внимателно, со мали помести и мал притисок, за да се добијат прецизни резултати и дупчењето да остане со точна големина. За длабоко дупчење (повеќе од 2хd) исфрлањето на струшката е отежнато, а температурата на бургијата е висока. Затоа намалете го поместот и бројот на вртежите и обезбедете подобро исфрлање на струшката со вадење на бургијата. За дупчење на пречници поголеми од 8 mm, треба да се направи пред дупчење, за да се избегне предвремено трошење на врвот на бургијата поради голем притисок.

## 5. ОДРЖУВАЊЕ



*Уверете се дека машината е исклучена кога го одржувате моторот.*

Оваа машина е конструирана да работи долг период со минимално одржување. Непрекинатото успешно работење зависи од грижата на машината и редовното чистење.

### Чистење

Чувајте ги чисти отворите за вентилација за да се спречи прегревање на моторот. Редовно чистете го куќиштето со мекана крпа, по можност после секое користење. Чувајте ги отворите за вентилација чисти, без прашина. Ако нечистотијата не се вади, употребете мекана крпа навлажнета со вода со сапуница. Никогаш не користете растворувачи како

бензин, алкохол, амонијчна вода итн. Овие растворувачи можат да ги оштетат пластичните делови. Искликувајте го алатот веднаш после користење.

### Подмачкување

Секое лежиште на машината е фабрички подмачкано. Не е потребно дополнително подмачкување. Од време на време, треба да се подмачка запчаникот и назабената летва, механизмот за кревање на масата, вретеното и назабувањето на шупливото вратено. Отворете го какаот на ременот и турете малку масло на вратилото. Маслото не смее да се нанесе на ременот!

### Откази

Ако се случи отказ, нпр. поради трошење на дел, обратете се на адресата на сервисот од гарантната картичка. На позадината на упатството ќе најдете експозиционен преглед со прикажани делови кои можат да се нарачаат.

## ЖИВОТНА СРЕДИНА

За да се спречи оштетување за време на транспортот, уредот се испорачува во тврдо пакување кое се состои од материјал за еднократна употреба. Затоа ве молиме да ги користите опциите за рециклирање на амбалажата.



*Оштетени и/или искористени електрични и електронски уреди мора да се депонираат во станици за рециклирање.*

### Само за земји од ЕУ

Не ги депонирајте алатите во домашен отпад. Според Европското Упатство 2012/19/ EU за отпадна електрична и електронска опрема и неговата имплементација во националното право, електричните алати кои веќе не се употребливи мораат да се собираат одделно и да се отстрануваат на еколошки начин.

## ГАРАНЦИЈА

Прочитајте ги гарантните услови во приложената гарантна картичка.

**Производот и упатството се предмет на промена. Карактеристиките можат да се променат без натамошно известување.**

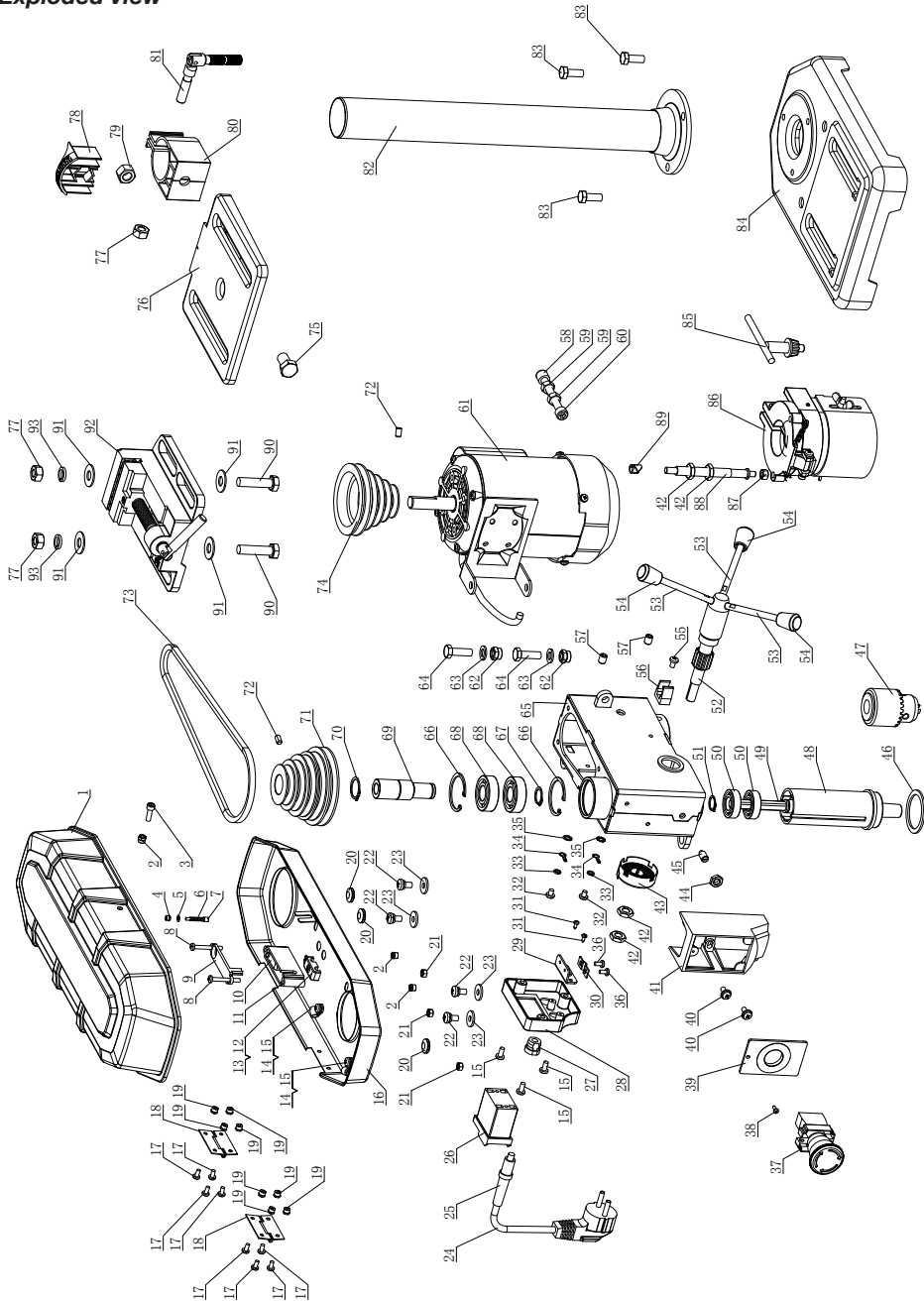
---

**Spare parts list****TDM1026**

<b>Article no.</b>	<b>Description</b>	<b>Position no.</b>
410707	Working table complete	75..81
410708	Chuck guard	86
410709	Depth limiter complete	42 87..88
410710	Chuck	47
410711	Emergency stop complete	37..41
410712	On/off switch complete	15 26..36
410713	Handle + Knob (3pcs)	53..54
410714	V-belt	73
410715	Microswitch	10
410716	Belt cover	1  16..19
TDA1013	Workpiece vice	



**Exploded view**







## DECLARATION OF CONFORMITY TDM1026 - BENCH PILLAR DRILL

- (EN) We declare under our sole responsibility that this product is in conformity with directive 2011/65/EU of the European parliament and of the council of 8 June on the restriction of the use of certain hazardous substances in electrical and electronic equipment is in conformity and accordance with the following standards and regulations:
- (DE) Der Hersteller erklärt eigenverantwortlich, dass dieses Produkt der Direktive 2011/65/EU des Europäischen Parlaments und des Rats vom 8. Juni 2011 über die Einschränkung der Anwendung von bestimmten gefährlichen Stoffen in elektrischen und elektronischen Geräten entspricht. den folgenden Standards und Vorschriften entspricht.
- (NL) Wij verklaren onder onze volledige verantwoordelijkheid dat dit product voldoet aan de conform Richtlijn 2011/65/EU van het Europees Parlement en de Raad van 8 juni 2011 betreffende beperking van het gebruik van bepaalde gevaarlijke stoffen in elektrische en elektronische apparatuur en in overeenstemming is met de volgende standaarden en reguleringen.
- (FR) Nous déclarons sous notre seule responsabilité que ce produit est conforme aux standards et directives suivants: est conforme à la Directive 2011/65/EU du Parlement Européen et du Conseil du 8 juin 2011 concernant la limitation d'usage de certaines substances dangereuses dans l'équipement électrique et électronique.
- (ES) Declaramos bajo nuestra exclusiva responsabilidad que este producto cumple con las siguientes normas y estándares de funcionamiento: se encuentra conforme con la Directiva 2011/65/UE del Parlamento Europeo y del Consejo de 8 de junio de 2011 sobre la restricción del uso de determinadas sustancias peligrosas en los equipos eléctricos y electrónicos.
- (PT) Declaramos por nossa total responsabilidade-de que este produto está em conformidade e cumpre as normas e regulamentações que se seguem: está em conformidade com a Directiva 2011/65/UE do Parlamento Europeu e com o Conselho de 8 de Junho de 2011 no que respeita à restrição de utilização de determinadas substâncias perigosas existentes em equipamento eléctrico e electrónico.
- (IT) Dichiariamo, sotto la nostra responsabilità, che questo prodotto è conforme alle normative e ai regolamenti seguenti: è conforme alla Direttiva 2011/65/UE del Parlamento Europeo e del Consiglio dell'8 giugno 2011 sulla limitazione dell'uso di determinate sostanze pericolose nelle apparecchiature elettriche ed elettroniche.
- (SV) Vi garanterar på eget ansvar att denna produkt uppfyller och följer följande standarder och bestämmelser: uppfyller direktiv 2011/65/EU från Europeiska parlamentet och EG-rådet från den 8 juni 2011 om begränsningen av användning av farliga substanser i elektrisk och elektronisk utrustning.
- (FI) Vakuutamme yksinomaan omalla vastuullamme, että tämä tuote täyttää seuraavat standardit ja säädökset: täyttää Euroopan parlamentin ja neuvoston 8. kesäkuuta 2011 päivätyn direktiivin 2011/65/EU vaatimukset koskien vaarallisten aineiden käyttöä rajoitusta sähkö- ja elektronisissa laitteissa.
- (NO) Vi erklærer under vårt eget ansvar at dette produktet er i samsvar med følgende standarder og regler: er i samsvar med EU-direktivet 2011/65/EU fra Europa-parlamentet og Europa-rådet, pr. 8 juni 2011, om begrensning i bruken av visse farlige stoffer i elektrisk og elektronisk utstyr.
- (DA) Vi erklærer under eget ansvar, at dette produkt er i overensstemmelse med følgende standarder og bestemmelser: er i overensstemmelse med direktiv 2011/65/EU fra Europa-Parlamentet og Rådet af 8. juni 2011 om begrænsning af anvendelsen af visse farlige stoffer i elektrisk og elektronisk udstyr.
- (HU) Felelősségünk teljes tudatában kijelentjük, hogy ez a termék teljes mértékben megfelel az alábbi szabványoknak és előírásoknak: je v souladu se směnicí 2011/65/EU Evropského parlamentu a Rady EU ze dne 8. června 2011, která se týká omezení použití určitých nebezpečných látek v elektrických a elektronických zařízeních.
- (CS) Na naši vlastní zodpovědnost prohlašujeme, že je tento výrobek v souladu s následujícími standardy a normami: Je v souladu s normou 2011/65/EU Evropského parlamentu a Rady z 8. júna 2011 týkajúcej sa obmedzenia používania určitých nebezpečných látok v elektrickom a elektronickom vybavení.
- (SK) Vyhlasujeme na našu výhradnú zodpovednosť, že tento výrobok je v zhode a súlade s nasledujúcimi normami a predpismi: Je v súlade s normou 2011/65/UE Európskeho parlamentu a Rady z 8. júna 2011 týkajúcej sa obmedzenia používania určitých nebezpečných látok v elektrickom a elektronickom vybavení.
- (SL) S polno odgovornostjo izjavljamo, da je ta izdelek v skladu in da odgovarja naslednjim standardom terpredpisom: je v skladu z direktivo 2011/65/EU Evropskega parlamenta in Sveta z dne 8. junij 2011 o omejevanju uporabe določenih nevarnih snovi v električni in elektronski opremi.
- (PL) Deklarujemy na własną odpowiedzialność, że ten produkt spełnia wymogi zawarte w następujących normach i przepisach: jest zgodny z Dyrektywą 2011/65/UE Parlamentu Europejskiego i Rady z dnia 8 czerwca 2011 r. w sprawie ograniczenia stosowania niektórych niebezpiecznych substancji w sprzęcie elektrycznym i elektronicznym.
- (LT) Prisimdami visa atsakomybę deklaruojame, kad šis gaminyš atitinka žemiau paminėtų standartus arba nuostatus: atitinka 2011 m. birželio 8 d. Europos Parlamento ir Tarybos direktyvą 2011/65/EB dėl tam tikrų pavojingų medžiagų naudojimo elektros ir elektroninėje įrangoje apbrojimo.
- (LV) Ir atbilstoša Eiropas Parlamenta un Padomes 2011. gada 8. jūnija Direktīvai 2011/65/ES par dažu bīstamu vielu izmantošanas ierobežošanu elektriskās un elektroniskās iekārtās.
- (ET) Aggalvojame ar visu atbildulu, ka šis produktis ir saskanaš an atbilst sekojošiem standartiem n nolikumiem: ir atbilstoša Eiropas Parlamenta un Padomes 2011. gada 8. jūnija Direktīvai 2011/65/ES par dažu bīstamu vielu izmantošanas ierobežošanu elektriskās un elektroniskās iekārtās.
- (RO) Declaram prin aceasta cu răspunderea deplină că produsul acesta este în conformitate cu următoarele standarde sau directive: este în conformitate cu Directiva 2011/65/UE a Parlamentului European și a Consiliului din 8 iunie 2011 cu privire la interzicerea utilizării anumitor substanțe periculoase la echipamentele electrice și electronice.
- (HR) Izjavljujemo pod vlastitom odgovornošću da je strojem ukladan sa slijedećim standardima ili standardiziranim dokumentima i u skladu sa odredbama: uskladeno s Direktivom 2011/65/EU europskog parlamenta i vijeća izdanom 8. lipnja 2011. o ograničenju korištenja određenih opasnih tvari i električnoj i elektroničkoj opremi.
- (SRL) Pod punom odgovornošću izjavljujemo da je usaglašen sa sledećim standardima ili normama: usaglašen sa direktivom 2011/65/EU Evropskog parlamenta i Saveta od 8.juna.2011. godine za restrikciju upotrebe određenih opasnih materija u električnoj i elektronoj opremi.
- (RU) Под свою ответственность заявляем, что данное изделие соответствует следующим стандартам и нормам: соответствует требованиям Директивы 2011/65/ЕС Европейского парламента и совета от 8 июня 2011 г. по ограничению использования определенных опасных веществ в электрическом и электронном оборудовании
- (UK) Na svoju vlasnu відповідальність заявляємо, що дане обладнання відповідає наступним стандартам і нормативам: задовольняє вимоги Директиви 2011/65/ЄС Європейського Парламенту та Ради від 8 червня 2011 року на обмеження використання деяких небезпечних речовин в електричному та електронному обладнанні.
- (EL) Δηλώνουμε υπεύθυνα ότι το προϊόν αυτό συμφύωνει και τήρει τους παρακάτω κανονισμούς και πρότυπα: συμφύωνεται με την Οδηγία 2011/65/ΕΕ του Ευρωπαϊκού Κοινοβουλίου και του Συμβουλίου της 8ης Ιουνίου 2011 για τον περιορισμό της χρήσης ορισμένων επικίνδυνων ουσιών σε ηλεκτρικό και ηλεκτρονικό εξοπλισμό.

**EN 55014-1, EN 55014-2, EN 61000-3-2, EN 61000-3-3, EN 61029-1,  
EN ISO 12100**

**2006/42/EC, 2014/30/EU, 2012/19/EU, 2011/65/EU**

Zwolle, 01-07-2018

H.G.F Rosberg  
CEO FERM B.V.

**FERM B.V. - Lingenstraat 6 - 8028 PM - Zwolle - The Netherlands**

